



» Air Filter, Regulator & Lubricator

- Adjust the spring force on the diaphragm to set the appropriate regulated pressure.
- The design of the FRL allows you to refill the lubricator without ever stopping your device.
- The polycarbonate, water and oil bowl offers better resistance.
- The E/EI series FRL supports more than 9Bar and offers an extended lifecycle during use while typical FRL oilers degrade in high pressure environments.

How to Use and Maintain

1. Before use, check the unit to see if there is some damage during the transportation, or if the joint connection is loose. If everything is ok, then start to use.
2. When installing, please pay attention to the direction of airflow and keep the unit upright.
3. When the inlet and outlet are in reduced connection, the airflow rate will be reduced approx by 10%. If with higher rate of precision, the airflow rate will be reduced approx by 7%.
4. For units with bowl guards, make sure to fix them before use.
5. When use the regulator or filter and regulator. Firstly, we need to adjust the hand wheel to the zero position. Fix the pressure gauge and plugs on the right positions and ensure no leakage. (positions of the pressure gauge and plug can be exchanged) Then compressed air in and adjust the air to a proper pressure.
6. When using the lubricator, we need to adjust the oil valve needle to the zero position and add oil to the oil level line first. Then adjust to a proper position when compressed air in. Pay attention to the brand and grade of the lubricating oil. Never use spindle oil and lubricating oil containing lower ketone or aromatic hydrocarbon.
7. When using metal tubes for connection, remember to remove the metal grains, dusts and oil stains in the tubes.
8. Please attention whether the working condition meet the technical details of the units. (Such as the working pressure, working temperature)
9. Please change the filter element when filter's function not goes well.
10. When remove the units from the system, pls pay attention to protect the units by the dust plug on the threads.

How to Order

1. Please let us know the item No, order number, specifications and quantity when placing an order.
2. For orders of filter, regulator and regulator+filter etc., please specify the filter precision and pressure range. Otherwise, we will provide the our normal standard products to you.
3. For special requirements, you can contact us by e-mail, fax and so on. We can discuss together and arrange specially.

Remarks

1. The regulator and lubricator not with the drain type code and filter precision code.
2. The filter and lubricator without pressure scale unit code.
3. The three units and two units, without bracket code
4. When with type code of "C", combination quantity code "10" is for two units and "00" for three units, others all with "00".
5. EI series without 1000 series.

EA

Air Preparation Unit



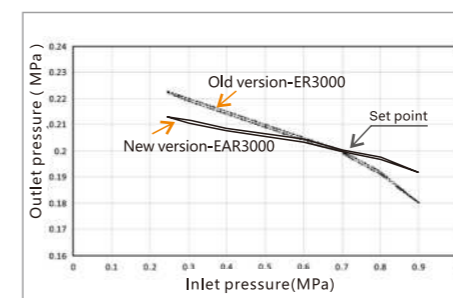
Co-moulded plastic cov



Square & Round meters options



Pressure chart

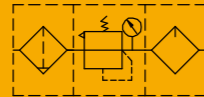


Product Features

1. High efficiency of solid grain and moisture elimination
2. The transparent plastic cover brings convenient observation, rustless and non-corrodible performance.
3. Special diaphragm design leads the pressure adjustment to a reliable and high precise performance.
4. Special drip nozzle design offers stable oil dripping and requests low flow at mist creating.
5. Round Meter and Square Meter are optional.
6. Manual Drain, Semi-auto drain, and Auto-drain are optional.

EAC3000

F.R.L Unit



Specifications

Model	EAC3000-02	EAC3000-03	EAC3000-04	
Working Medium	Clean Air(after 40 μ m filtration)			
Guaranteed Pressure(MPa)	1.5			
Max. Working Pressure(MPa)	1.0			
Pressure Adjustment Range(MPa)	0.15-0.9, Low pressure type 0.15-0.4			
Working Temperature(°C)	-5-60 (No freezing)			
Filter Precision	40 μ m/5 μ m optional			
Recommended Oil	Turbine No.1 Oil ISO VG32			
Bowl Material	PC(Polycarbonate)			
Water Bowl Capacity(CC)	40			
Oil Bowl Capacity(CC)	76			
Weight(g)		1245	1223	
Component	Filter	EAF3000-02	EAF3000-03	EAF3000-04
	Regulator	EAR3000-02	EAR3000-03	EAR3000-04
	Lubricator	EAL3000-02	EAL3000-03	EAL3000-04



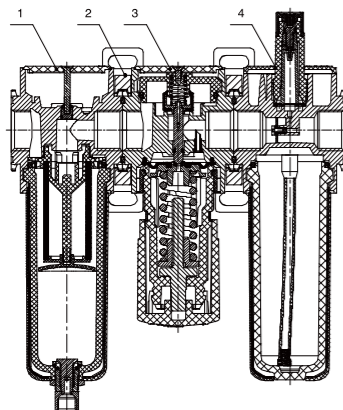
How to Order?

Series No.	Port Size	Drain Type	Type No.	Pressure Gauge	Pressure Gauge Type	Scale Unit	Filter Precision	Thread Type
EAC3000:EA3000 series F.R.L Unit (Filter+Regulator+Lubricator)	02: 1/4" 3000 03: 3/8" 04: 1/2"	Blank: Manual drain type C: Semi-auto drain D: Auto Drain type	Blank: With pressure gauge N: No pressure gauge Blank: Standard type L: Low pressure type①	F: Square pressure gauge Y: Round pressure gauge②	③ Square pressure gauge optional 1: MPa 2: Bar 3: Psi Round pressure gauge optional 4: Mpa/Psi 5: Bar/Psi	Blank: 40 μ m 5M: 5 μ m	Blank: G P: PT T: NPT	

Order Example:

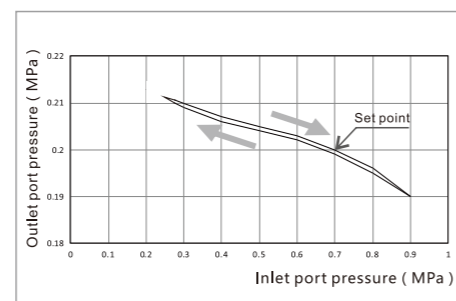
EA series F.R.L unit, port size of 1/2", differential pressure drain type, with square pressure gauge, Mpa, 5 μ m, G thread, it's ERP code: EAC3000-04CLF15M
Remark:①Max pressure adjustable for low pressure type is 0.4Mpa;②Port of round pressure gauge is M6;
③Square pressure gauge is single scale, round pressure gauge is double scale

Internal Structure



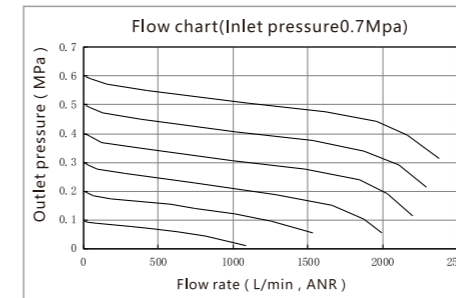
No.	Part Name
1	EA series filter
2	T type bracket
3	EA series regulator
4	EA series lubricator

Pressure Feature

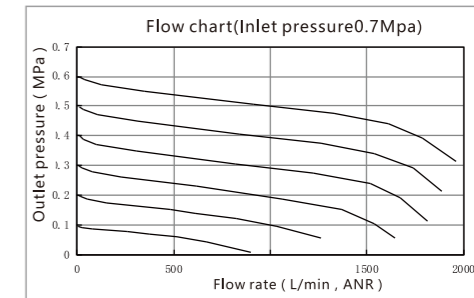


Flow Chart

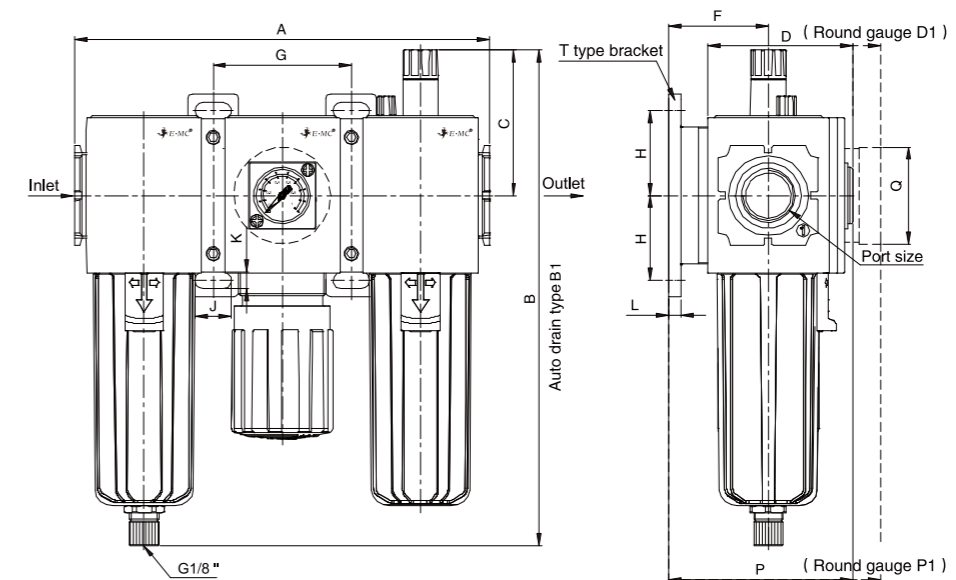
EAC3000-03/04



EAC3000-02

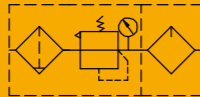


Main Dimensions



Model	Port Size	A	B	B1	C	D	D1	F	G	H	J	K	L	P	P1	Q
EAC3000	1/4"-1/2"	171	203.5	200.5	60	59.8	71.5	41	57	35	15	7	5	75.8	87.5	40

EAC3010 FR.L Unit



Specifications

Model	EAC3010-02	EAC3010-03	EAC3010-04	
Working Medium	Clean Air(after 40 μm filtration)			
Guaranteed Pressure(MPa)	1.5			
Max. Working Pressure(MPa)	1.0			
Pressure Adjustment Range(MPa)	0.15-0.9, Low pressure type 0.15-0.4			
Working Temperature(°C)	-5-60 (No freezing)			
Filter Precision	40 μm/5 μm optional			
Recommended Oil	Turbine No.1 Oil ISO VG32			
Bowl Material	PC(Polycarbonate)			
Water Bowl Capacity(CC)	40			
Oil Bowl Capacity(CC)	76			
Weight(g)	615	599	585	
Component	Filter regulator	EAW3000-02	EAW3000-03	EAW3000-04
	Lubricator	EAL3000-02	EAL3000-03	EAL3000-04

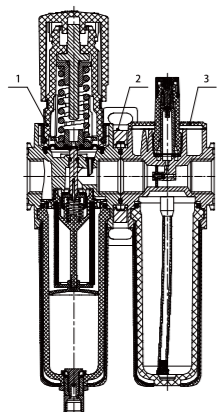
How to Order?

Series No.	Port Size	Drain Type	Type No.	Pressure Gauge	Pressure Gauge Type	Scale Unit	Filter Precision	Thread Type
EAC3010:EA3000 series FR.L Unit (Filter+Lubricator)	02: 1/4" 03: 3/8" 04: 1/2"	Blank: Manual drain type C: Semi-auto drain D: Auto Drain type	Blank: With pressure gauge N: No pressure gauge	Blank: Standard type L: Low pressure type①	F: Square pressure gauge Y: Round pressure gauge②	③ Square pressure gauge optional Round pressure gauge optional	Blank: 40 μm 5M: 5 μm	Blank: G P: PT T: NPT
						1: MPa 2: Bar 3: Psi 4: Mpa/Psi 5: Bar/Psi		

Order Example:

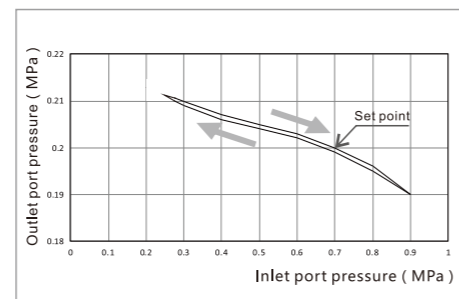
EA series FR.L unit, port size of 1/2", differential pressure drain type, with square pressure gauge, Mpa, 5 μm, G thread, the ERP code is: EAC3010-04CLF15M
 Remark:①Max pressure adjustable for low pressure type is 0.4Mpa;②Port of round pressure gauge is M6;
 ③Square pressure gauge is single scale, round pressure gauge is double scale

Internal Structure



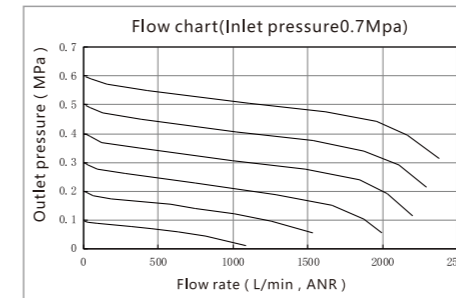
No.	Part Name
1	EA series filter regulator
2	T type bracket
3	EA series lubricator

Pressure Feature

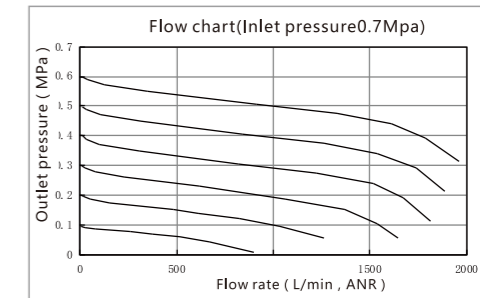


Flow Chart

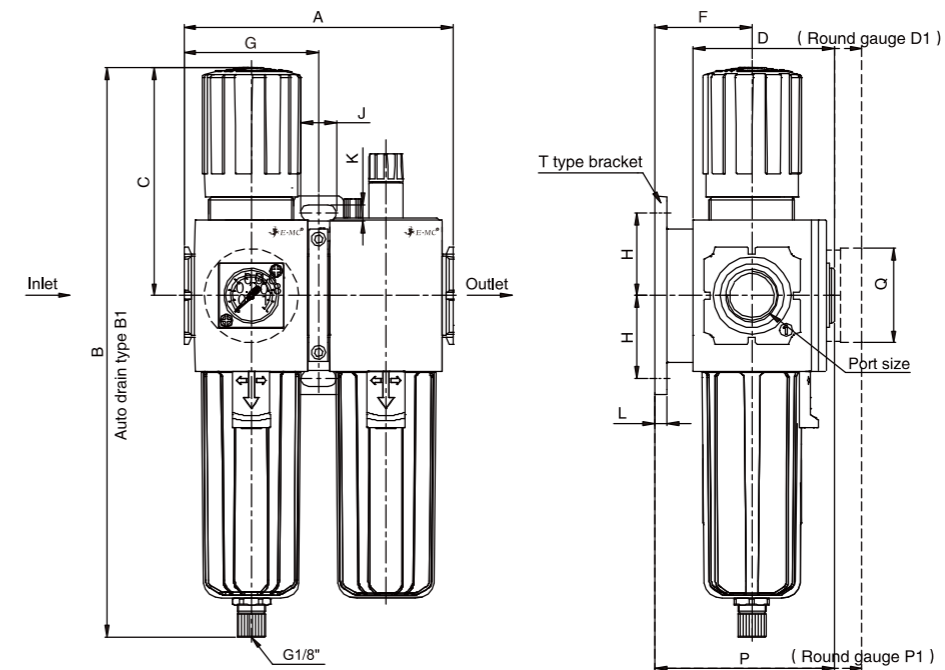
EAC3010-03/04



EAC3010-02

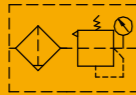


Main Dimensions



Model	Port Size	A	B	B1	C	D	D1	F	G	H	J	K	L	P	P1	Q
EAC3010	1/4"-1/2"	114	239.6	236.6	96.6	59.8	71.5	41	57	35	15	7	5	75.8	87.5	40

EAW3000 Filter Regulator



Specifications

Model	EAW3000-02	EAW3000-03	EAW3000-04
Working Medium	Clean Air(after 40 μm filtration)		
Guaranteed Pressure(MPa)	1.5		
Max. Working Pressure(MPa)	1.0		
Pressure Adjustment Range(MPa)	0.15~0.9, Low pressure type 0.15~0.4		
Working Temperature(°C)	-5~60 (No freezing)		
Filter Precision	40 μm/5 μm optional		
Recommended Oil	PC(Polycarbonate)		
Water Bowl Capacity(CC)	40		
Weight(g)	490	484	477

How to Order?

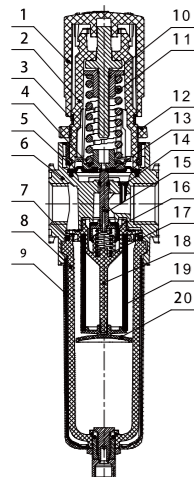
Series No.	Port Size	Drain Type	Type No.	Pressure Gauge	Pressure Gauge Type	Bracket Code	Scale Unit	Filter Precision	Thread Type
EAW3000:EA3000 series Filter regulator	Blank: Manual drain type C: Semi-auto drain D: Auto Drain type	Blank: With pressure gauge N: No pressure gauge	Blank: Standard type L: Low pressure type ①	F: Square pressure gauge Y: Round pressure gauge ②	Blank: 40 μm 5M: 5 μm	Blank: G P: PT T: NPT	③ Square pressure gauge optional Round pressure gauge optional	Blank: 40 μm 5M: 5 μm	Blank: G P: PT T: NPT
3000	02: 1/4" 03: 3/8" 04: 1/2"						1: MPa 2: Bar 3: Psi 4: Mpa/Psi 5: Bar/Psi		

Order Example:

EA series FR unit, port size of 1/2", differential pressure drain type, low pressure type, with square pressure gauge, with bracket, Mpa, 5 μm, G thread, the ERP code is: EAW3000-04CLF15M

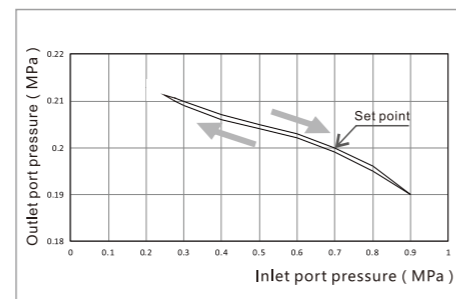
Remark: ①Max pressure adjustable for low pressure type is 0.4Mpa; ②Port of round pressure gauge is M6; ③Square pressure gauge is single scale, round pressure gauge is double scale

Internal Structure

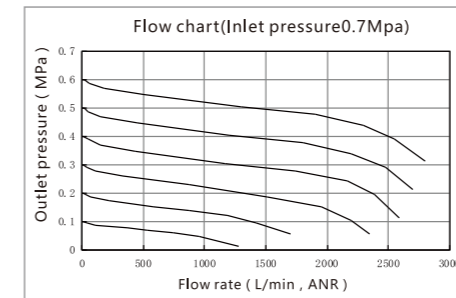


No.	Part Name	Material
1	Pressure regulating handle	PA6 with glass fiber
2	Pressure regulating valve cover	PA6 with glass fiber
3	Marking ring	POM
4	Pressure regulating spring seat	POM
5	Cover plate	ABD
6	Valve body	Aluminum alloy
7	Seal	NBR
8	Water bowl	PC
9	Protection guard	PC+ABS
10	Pressure regulating screw/Screw set	Free-cutting steel
11	Spring	SWC
12	Octagonal caps	POM with glass fiber/Zinc alloy
13	Diaphragm	NBR
14	Interline	POM
15	Valve stem	Brass
16	Valve core	6061+NBR
17	Spring	SUS304
18	Water separator propeller	POM
19	Filter element	PE
20	Water baffle	POM with glass fiber

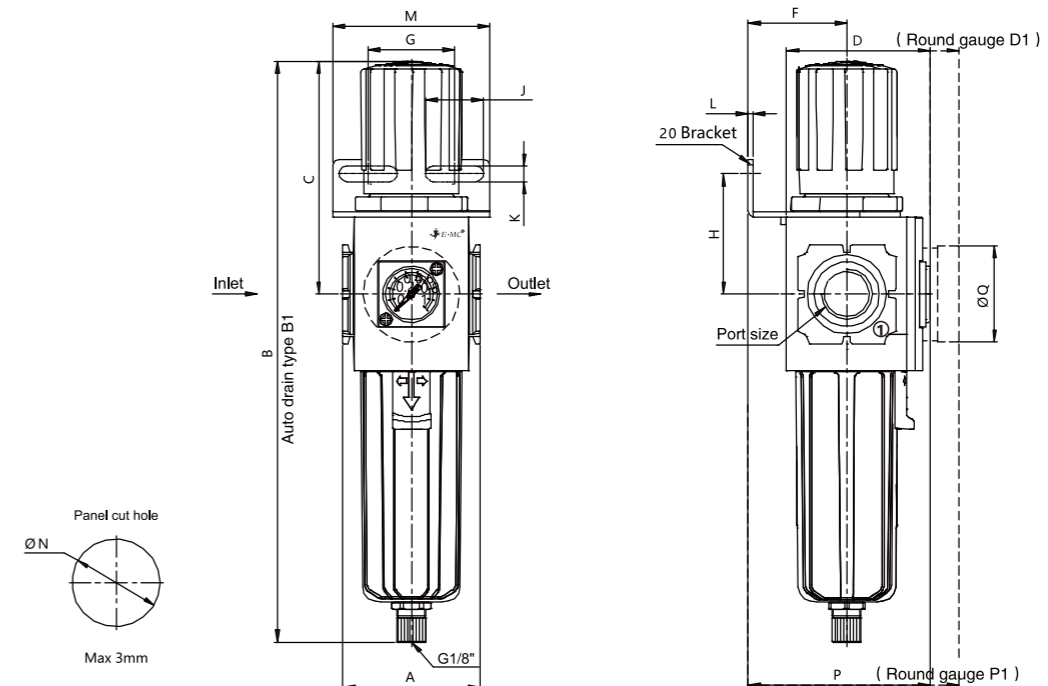
Pressure Feature



Flow Chart

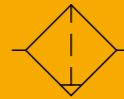


Main Dimensions



Model	Port Size	A	B	B1	C	D	D1	F	G	H	J	K	L	M	N	P	P1	Q
EAW3000	1/4"-1/2"	57	239.6	236.6	96.6	59.8	71.5	41	36	50	24	6.5	2	65	36.5	75.8	87.5	40

EAF3000 Filter



Specifications

Model	EAF3000-02	EAF3000-03	EAF3000-04
Working Medium	Clean Air(after 40 μm filtration)		
Guaranteed Pressure(MPa)	1.5		
Max. Working Pressure(MPa)	0.15~1.0		
Working Temperature(°C)	-5~60 (No freezing)		
Filter Precision	40 μm/5 μm optional		
Bowl Material	PC(Polycarbonate)		
Water Bowl Capacity(CC)	40		
Weight(g)	328	322	315

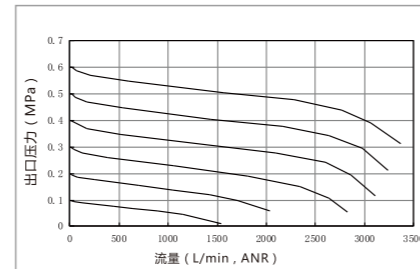
How to Order?

Series No.	Port Size	Drain Type	Bracket Code	Filter Precision	Thread Type
EAF3000:EA3000 series filter	Blank: Manual drain type C: Semi-auto drain D: Auto Drain type	Blank: 40 μm 5M: 5 μm	Blank: With bracket J: No bracket	Blank: G P: PT T: NPT	
3000	02: 1/4" 03: 3/8" 04: 1/2"				

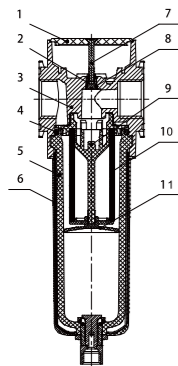
Order Example:

EA series Filter, port size of 1/2", differential pressure drain type, with bracket, filter precision 5 μm, G thread, the ERP code is: EAF3000-04C5M

Flow Chart

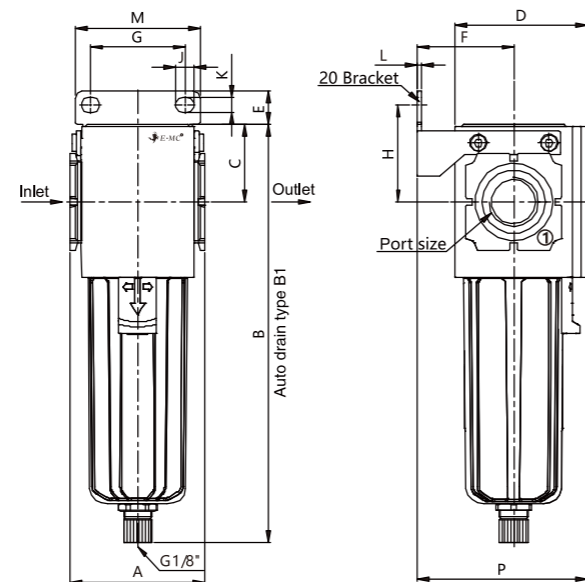


Internal Structure



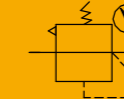
No.	Part Name	Material
1	Valve seat cover	ABS
2	Seal Pillar	6061
3	Valve body	Aluminum alloy
4	Seal	NBR
5	Water bowl	PC
6	Protection Guard	PC+ABS
7	Screw	Mild steel
8	O-ring	NBR
9	Water separator propeller	POM
10	Filter element	PE
11	Water baffle	POM with glass fiber

Main Dimensions



Model	Port Size	A	B	B1	C	D	E	F	G	H	J	K	L	M	P
EAF3000	1/4"-1/2"	57	176.5	173.5	33	56.4	14	41	40	41	8	6.5	2	53	72.4

EAR3000 Regulator



Specifications

Model	EAR3000-02	EAR3000-03	EAR3000-04
Working Medium	Clean Air(after 40 μm filtration)		
Guaranteed Pressure(MPa)	1.5		
Max. Working Pressure(MPa)	1.0		
Pressure Adjustment Range(Mpa)	0.15~0.9, Low pressure type 0.15~0.4		
Working Temperature(°C)	-5~60 (No freezing)		
Weight(g)	393	387	380

How to Order?

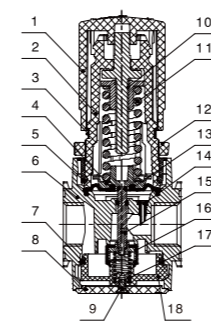
Series No.	Port Size	Type No.	Pressure Gauge	Pressure Gauge Type	Bracket Code	Scale Unit	Thread Type
EAR3000:EA3000 series Regulator	Blank: With pressure gauge N: No pressure gauge	Blank: Standard type L: Low pressure type	Blank: With bracket J: No bracket	F: Square pressure gauge Y: Round pressure gauge	Blank: G P: PT T: NPT	Square pressure gauge optional Round pressure gauge optional	Blank: G P: PT T: NPT
3000	02: 1/4" 03: 3/8" 04: 1/2"					1: MPa 2: Bar 3: Psi 4: Mpa/Psi 5: Bar/Psi	

Order Example:

EA series Regulator, port size of 1/2", low pressure type, with square pressure gauge, with bracket, Mpa, G thread, the ERP code is: EAR3000-04LF1

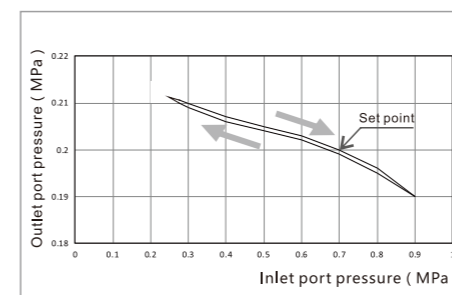
Remark: ①Max pressure adjustable for low pressure type is 0.4Mpa; ②Port of round pressure gauge is M6; ③Square pressure gauge is single scale, round pressure gauge is double scale

Internal Structure

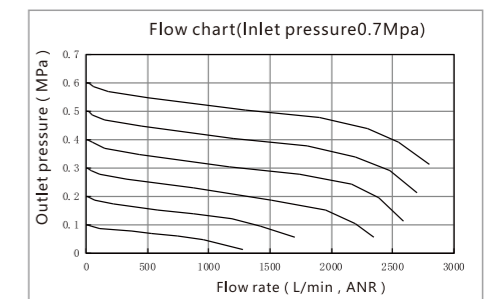


No.	Part Name	Material
1	Pressure regulating handle	PA6 with glass fiber
2	Pressure regulating valve cover	PA6 with glass fiber
3	Marking ring	POM
4	Pressure regulating spring seat	POM
5	Cover plate	ABS
6	Valve body	Aluminum alloy
7	Seal	NBR
8	Valve seat cover	ABS
9	Screw	Mild steel
10	Pressure regulating screw/ Screw set	Free-cutting steel
11	Spring	SWC
12	Octagonal caps	POM with glass fiber/Zinc alloy
13	Diaphragm	NBR
14	Interline	POM
15	Valve stem	Brass
16	Valve core	6061-NBR
17	Spring	SUS304
18	Pressure regulating valve seat	POM with glass fiber

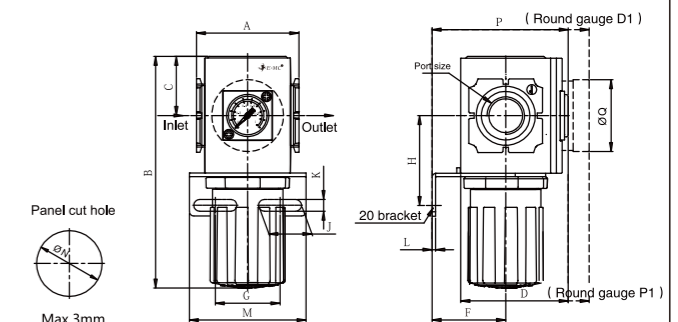
Pressure Feature



Flow Chart

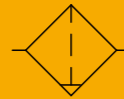


Main Dimensions



Model	Port Size	A	B	C	D	D1	F	G	H	J	K	L	M	N	P	P1
EAR3000	1/4"-1/2"	57	129.1	33	59.8	71.5	41	36	50	24	6.5	2	65	36.5	75.8	87.5

EAL3000 Lubricator



Specifications

Model	EAL3000-02	EAL3000-03	EAL3000-04
Working Medium	Clean Air(after 40 μ m filtration)		
Guaranteed Pressure(MPa)	1.5		
Max. Working Pressure(MPa)	0.05~1.0		
Working Temperature(°C)	-5~60 (No freezing)		
Recommended Oil	Turbine No.1 Oil ISO VG32		
Bowl Material	PC(Polycarbonate)		
Oil Bowl Capacity(CC)	76		
Weight(g)	296	287	279

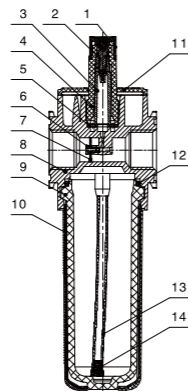
How to Order?

Series No.	Port Size	Bracket Code	Thread Type
EAL3000:EA3000 series lubricator	02: 1/4" 03: 3/8" 04: 1/2"	Blank: With bracket J: No bracket	Blank: G P: PT T: NPT

Order Example:

EA series lubricator, port size of 1/2", with bracket, G thread, the ERP code is: EAL3000-04

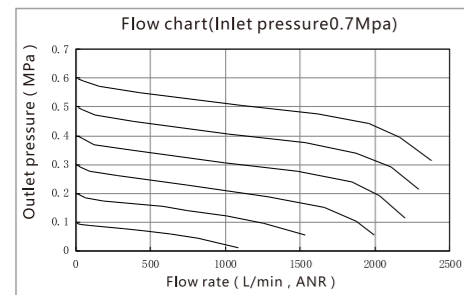
Internal Structure



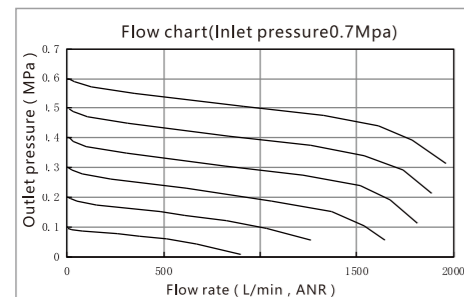
No.	Part Name	Material
1	Adjusting screw cap	POM
2	Oil flow adjusting unit	Brass
3	Oil dripping tube	PC
4	Oil window	PC
5	Seal	NBR
6	Bolt brass	Brass
7	Baffle	NBR
8	Valve body	Aluminum alloy
9	Water bowl	PC
10	Protection guard	PC+ABS
11	Lubricator cover plate	ABS
12	Sealing	NBR
13	Pipe	PU
14	Filter element	Brass

Flow Chart

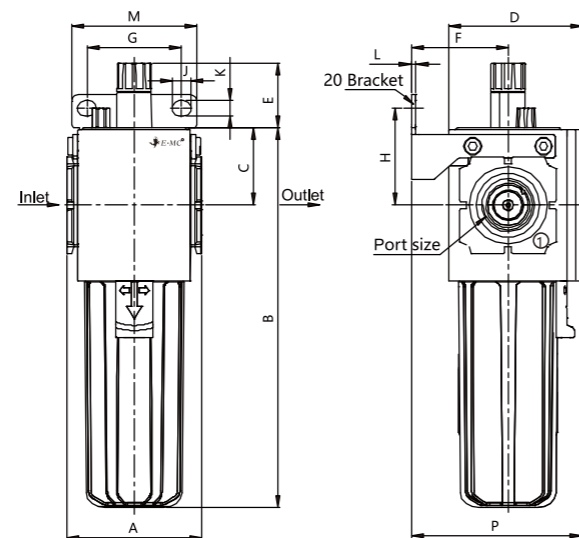
EAL3000-03/04



EAL3000-02



Main Dimensions



Model	Port Size	A	B	C	D	E	F	G	H	J	K	L	M	P
EAL 3000	1/4"-1/2"	57	188	33	56.4	27	41	40	41	8	6.5	2	53	72.4

EA Series Air Preparation Unit- Accessories

How to Order?

Square pressure gauge

Series No.	Pressure Range	Scale Unit
EAC-FB: EA series special square pressure gauges	010: 0~1.0 Mpa 0~10 Bar 0~150 Psi	1: MPa 2: Bar 3: Psi

Order Example:

EA series special square pressure gauge, pressure range: 0~1.0Mpa, scale:Mpa, the ERP code is EAC-FB0101

Round pressure gauge

Series No.	Dial Diameter	Pressure Range	Scale Unit	Case Material	Case Color	Fitting Material	Port Size
EAC-EYZ: EA series special round pressure gauges	25 : 25mm (Used in the EA2000 series) 40 : 40mm (Used in the EA3000 /4000series)	010:0~1.0MPa/0~150Psi 0~10Bar/0~150Psi	4:MPa/Psi 5:Bar/Psi	1:The iron shell	B:Black	Blank:Brass	M6:M6

Order Example:

EA series special round pressure gauge, diameter is 40mm, pressure range:0-1.0Mpa/0-150psi, scale is Mpa/Psi, black metal shell, brass fitting, port size is M6, the ERP code is EAC-EYZ4001041B-M6

Spacer

Series No.	Type No.	Port Size	Thread Type
EA300:EA3000 series spacer	1: 1000 series 2: 2000 series 3: 3000 series 4: 4000 series	02:1/4" 3000 03:3/8" 04:1/2"	Blank: G P: PT T: NPT

Order Example:

EA series spacer, 2 way, port size of 1/4", G thread, the ERP code is: EA3002-02

Note: ① It means bypass port qty, not including inlet/outlet port;
If use spacer together with EAC series F.R.L or FR.L, should mount together with T type bracket.

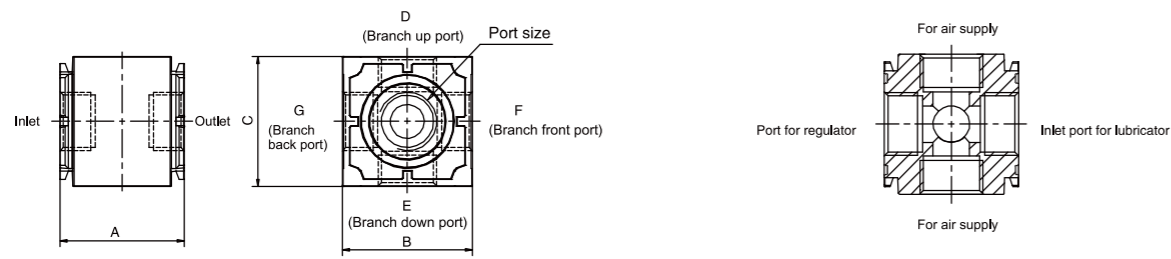
Product Features

- Mount between filter regulator/regulator and lubricator of EA series, to branch air supply line;
- Could be used with T type bracket or used seperately

Specifications

Model	EA300□-02	EA300□-03	EA300□-04
Working Medium	Clean Air(after 40 μ m filtration)		
Guaranteed Pressure(MPa)	1.5		
Max. Working Pressure(MPa)	1.0		
Weight(g)	200	190	180

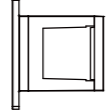
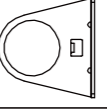
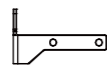
Internal Structure



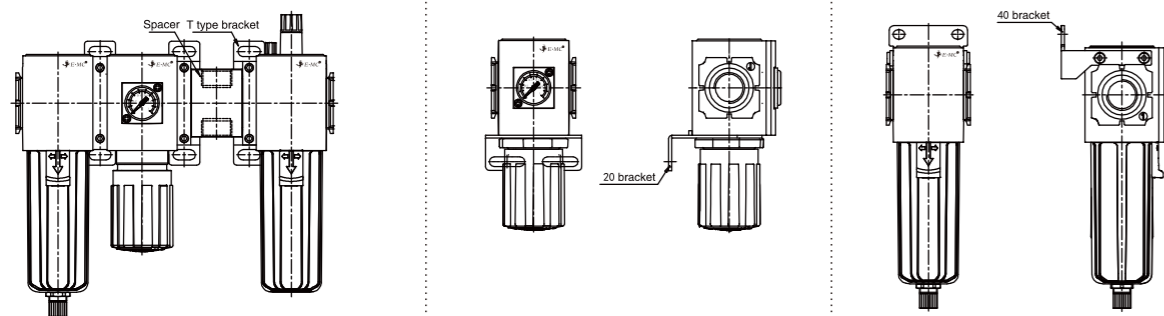
Dimensions and Ports

Model	Port size	A	B	C	D	E	F	G
EA3001	1/4"-1/2"	44	46	46	Through hole	Blind hole	Blind hole	Blind hole
EA3002					Through hole	Through hole	Blind hole	Blind hole
EA3003					Through hole	Through hole	Through hole	Blind hole
EA3004					Through hole	Through hole	Through hole	Through hole

Mounting Accessories

Model	Code	Dimensions	Applicable product specifications	
T-type bracket	EAC30T-P01		EAC3000	EAC3010
20-type bracket	EAC320-P01		EAW3000	EAR3000
40-type bracket	EAC340-P01		EAF3000	EAL3000

Accessories Application Example



How to Order?

Series No.	Type Code	Body Size	Combination QTY	Port Size	Drain Type	Pressure Gauge Code	Bracket Code	Scale Unit	Filter Precision	Thread Type
EI: Square gauge series	C: Filter+regulator+ lubricator W: Filter+regulator F: Filter R: Regulator L: Lubricator	20: 2000 body 30: 3000 body 40: 4000 body 50: 5000 body	10: Two units (Regulator+Lubricator) 00: Others	2000 01: 1/8 " 02: 1/4 " 3000 02: 1/4 " 03: 3/8 "	4000 03: 3/8 " 04: 1/2 " 5000 06: 3/4 " 10: 1 "	Blank: Manual drain type C: Semi-auto drain D: Auto Drain type	Blank: With bracket J: No bracket	1: Mpa 2: Bar *3: Psi (*Need special made)	Blank: 25 μm 5M: 5 μm	Blank: G P: PT T: NPT

Order Example:

EI series regulator, 2000 body size, 1/8 port size, with pressure gauge, Mpa pressure unit, G thread, ERP code is: EIR2000-01 1

Air Preparation Unit Kits

EIF3000

NO.	NAME	QTY	MATERIAL
18	Lock	1	ABS
17	Pin	1	ABS
16	Spring	1	Stainless steel
15	Metal bowl	1	Steel plate
14	Nut	1	HPb59-1
13	Hexagon Nut	1	HPb59-1
12	O-ring	1	NBR
11	Drain valve seat	1	HPb59-1
10	O-ring	1	NBR
9	Spring	1	Stainless steel
8	Drain valve core	1	HPb59-1
7	Water cup	1	HPb59-1
6	Drain board	1	ABS
5	Cross bolt	1	Carbon steel
4	Filter element	1	Cu
3	Blade	1	ABS
2	O-ring	1	NBR
1	Filter body	1	ADC12

EIR3000

NO.	NAME	QTY	MATERIAL
30	Regulate handle	1	Reinforce nylon
29	Symbol ring	1	Reinforce nylon
28	Plastic combination	1	POM
27	Cross screw	4	Carbon steel
26	Spring washer	4	Carbon steel
25	Regulator body	1	Aluminum
24	Regulate bolt	1	Carbon steel
23	Washer	1	POM
22	Regulate Nut	1	Carbon steel
21	Spring	1	Stainless steel
20	Diaphragm Pulley	1	Carbon steel
19	Diaphragm	1	NBR
18	Diaphragm seat	1	Brass
17	Pipe	1	POM
16	Retainer ring	1	Steel plate
15	O-ring	1	NBR
14	Cross screw	4	Carbon steel
13	Plastic connection	1	POM
12	Seal	1	NBR
11	Regulator body	1	Aluminum
10	Seal	1	NBR
9	Connection	1	ABC12
8	Spool	1	Brass+NBR
7	Valve core	1	Brass
6	Retainer ring	1	Steel plate
5	Spring	1	Stainless steel
4	Retainer ring	1	Steel plate
3	O-ring	1	NBR
2	O-ring	1	NBR
1	Regulator seat	1	ZZnAl4-1

EIL3000

NO.	NAME	QTY	MATERIAL
28	Oil cup	1	Polycarbonate
27	Lock	1	ABS
26	Pin	1	ABS
25	Spring	1	Stainless steel
24	Metal bowl	1	Steel plate
23	O-ring	1	NBR
22	Pin	1	Q235
21	Oil regulate seat	1	HPb59-1
20	O-ring	1	NBR
19	Oil regulate needle	1	HPb59-1
18	Oil regulate pointer	1	ABS
17	O-ring	1	NBR
16	Plug	1	ABS
15	O-ring	1	NBR
14	Cross screw	2	Q235
13	Spring washer	2	Q516Mn
12	One way valve plate	1	POM
11	Spring	1	Stainless steel
10	Pipe	1	PU tube
9	Steel ball	1	Q235
8	O-ring	1	NBR
7	Steel ball	1	Q235
6	Read	1	Polycarbonate
5	Lubricator body	1	ADC12
4	O-ring	1	NBR
3	Oil smp tube	1	Polycarbonate
2	O-ring	1	NBR
1	Oil window	1	Polycarbonate

EIW3000

NO.	NAME	QTY	MATERIAL
45	Spring	1	Carbon steel
44	Regulate nut	1	Carbon steel
43	Washer	1	POM
42	Regulate bolt	1	Carbon steel
41	Spring washer	4	Carbon steel
40	Cross screw	4	Carbon steel
39	Valve cover	1	Reinforce nylon
38	Nut	1	Reinforce nylon
37	Symbol ring	1	Reinforce nylon
36	Regulate handle	1	Reinforce nylon
35	Spring	1	Stainless steel
34	Retainer	1	Steel plate
33	O-ring	1	NBR
32	Valve core	1	Brass
31	Spool	1	HPb59-1+NBR
30	connection	1	ABC12
29	Seal	1	NBR
28	Plastic connection	1	POM
27	Cross screw	4	Carbon steel
26	Seal	1	NBR
25	Regulator Body	1	Aluminum
24	O-ring	1	NBR
23	Retainer ring	1	POM
22	Pipe	1	Carbon steel
21	Diaphragm seat	1	Brass
20	Diaphragm	1	NBR
19	Diaphragm Pulley	1	Carbon steel
18	Water cup	1	Polycarbonate
17	O-ring	1	NBR
16	Drain board	1	ABS
15	Bolt	1	Carbon steel
14	Filter element	1	ZZnAl4-1
13	Whirling blade	1	ABS
12	Outflow valve seat	1	Brass
11	Bowl guard	1	Carbon steel
10	Spring	1	Stainless steel
9	Lock	1	ABS
8	Pin	1	ABS
7	Nut	1	Brass
6	Hex Nut	1	Brass
5	O-ring	1	NBR
4	Drain valve	1	Brass
3	O-ring	1	NBR
2	Spring	1	Stainless steel
1	Valve core	1	Brass

EPR3000

Precision Pressure Regulator



Product Features

- High precision , sensitive response.
- Steady output pressure.
- Large flow rate and steady flow output.
- Easy installation : Independent installation by bracket ; Bottom installation ; Direct installation with existing modular air preparation.
- High pressure type, medium pressure type and low pressure type optional.

How to Order?

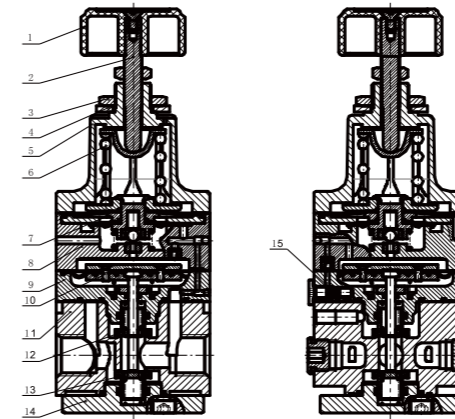
Series No.	Port Size	Pressure Range	Pressure Gauge Code	Bracket Code	Scale Unit	Thread Type
EPR3000	02:1/4"	L:0.005 ~ 0.2MPa M:0.01 ~ 0.4MPa H:0.01 ~ 0.8MPa	Blank: With pressure gauge N: No pressure gauge	Blank: With bracket J: No bracket	Blank: MPa/Psi	Blank: G P: PT T:NPT

Order Example: EPR3000 high precision regulator , 1/4" port, pressure range 0.01~0.8MPa ,with gauge,with bracket,scale unit MPa/Psi ,G thread , ERP code is EPR3000-02-HJN

Specifications

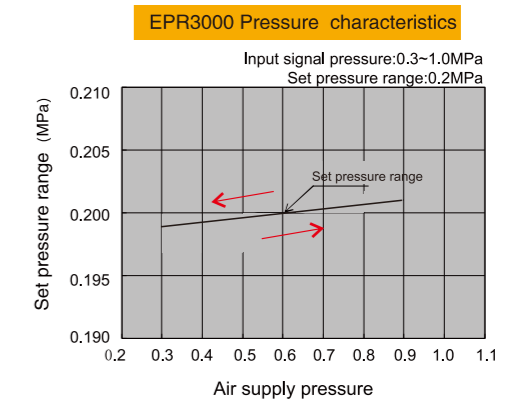
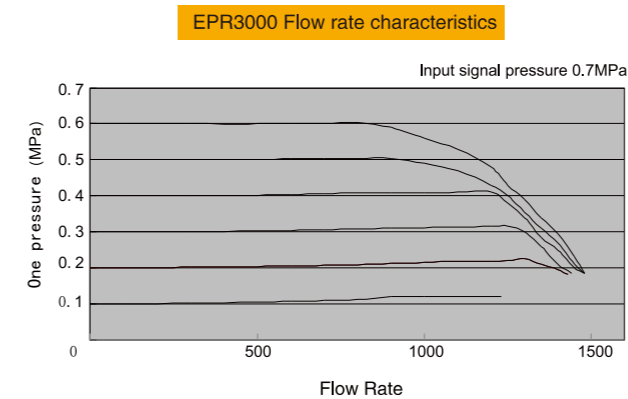
Model No.	EPR3000
Working Medium	Clean air(After 40 μ m filtration)
Max. supply pressure	1.0
Min. supply pressure	Setting pressure+0.05
Proof pressure	1.5
Setting pressure range	L:0.005 ~ 0.2MPa
	M:0.01 ~ 0.4MPa
	H:0.01 ~ 0.8MPa
Sensitivity	Within 0.2% of full scale value
Repeated accuracy	Within ± 0.5% of full scale value
Port size	1/4"
Pressure gauge port size	G1/8(2 place)
Working Temperature	-20~70 (No freezing)

Internal Structure

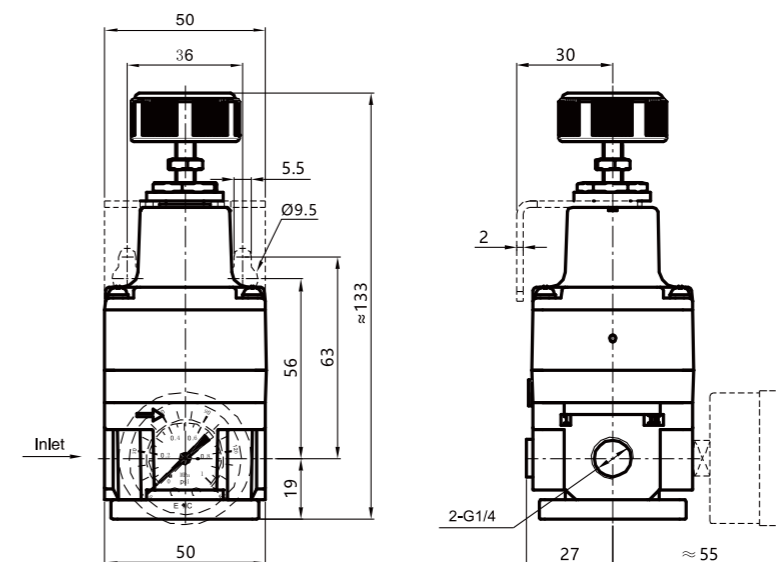


No.	Part Name	Material
1	Pilot regulate button	Plastic
2	Pilot regulate axle	Carbon steel
3	Hex nut	Free Machining Steel
4	Flat washer	SPCC
5	Pilot regulate seat	Aluminum
6	Spring	Spring steel
7	Pilot diaphragm assy	Assy
8	Nozzle	Aluminum
9	Middle valve body	Aluminum
10	Main regulate diaphragm	Assy
11	Main valve body	Aluminum
12	Exhaust valve core	Assy
13	Inlet valve core	Assy
14	Bottom cover	Aluminum
15	Filter element	High polymer material

Flow Chart



Main Dimension



ETV

Electro-Pneumatic Proportional Regulator



Product Features

- Adopt 32-bit, special closed-loop control algorithm to realize the rapid response and precise control effectively;
- Control precision is $\leq \pm 0.5\%$;
- Adopt high-precision built-in pressure sensor to improve control precision effectively;
- Three-color digital display LCD, real-time display actual pressure and setting pressure simultaneously, convenient to confirm and adjust on site;
- Easy to change 4 pressure units(Mpa,Bar,Psi,Kpa)at any time;
- Self-diagnosis;
- Error indication;
- Individual notes when output pressure is lower;
- Independent internal pressure output signal;
- 4-pins M12A standard (male) fieldbus connector, 3 meters cable;
- Easy assembling and operating;
- The built-in filter can be easily removed for cleaning or replacement;
- The valve body made by microdiecast technology;
- Large flow rate;
- Protection class IP65;
- Pressure range: 0-0.1 MPa / 0-0.5 MPa / 0-0.9MPa;
- Common characteristic parameter curve.

How to order?

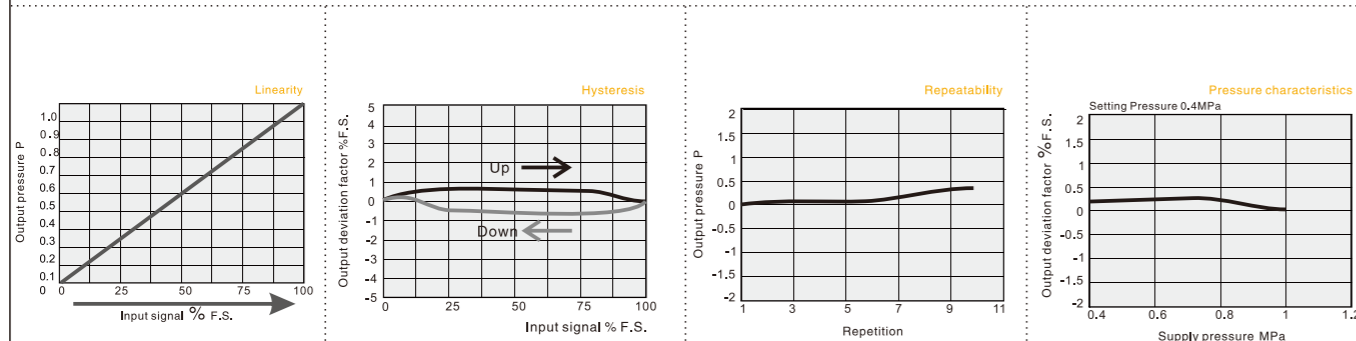
Series No.	Valve body size	Port size	Pressure range	Input signal	Monitor output	Port size	Bracket	Cable connector type
ETV	20: 20	08:1/4" 10:3/8"	10: 0-0.1MPa/0-1bar/0-15psi/0-100KPa 30: 0-0.5MPa/0-5bar/0-70psi/0-500KPa 50: 0-0.9MPa/0-9bar/0-130psi/0-900KPa	0: 4-20mA 1: 0-20mA 2: 0-5V 3: 0-5V 4: 4 points preset input	0: None 1: 1-5V 2: 24V PNP 3: 24V PNP 4: 4-20mA	Blank: G P: PT T: NPT	Blank: Without bracket B: Flat bracket C: L-bracket	Blank: Without cable connector L: Right angle type 3m S: Straight type 3m

Order Example: ETV series Electro-Pneumatic Proportional Regulator, valve body20, port size1/4", output pressure 0-0.1MPa, input signal4-20mA, Monitor output1-5V, port size G, Flat bracket, straight type 3m, ERP code is:ETV20-081001-BS.

Cable connector Name	Order code	Bracket Name	Order code
4-pins M12A standard Straight type 3m	M124R-PUR-3M	Flat bracket	FJ-ETV-FA
4-pins M12A standard Right angle type 3m	M124RL-PUR-3M	L- bracket	FJ-ETV-LB

Note: Normal cable connector length is 3m, any other model need to be customized production, max length 10m.

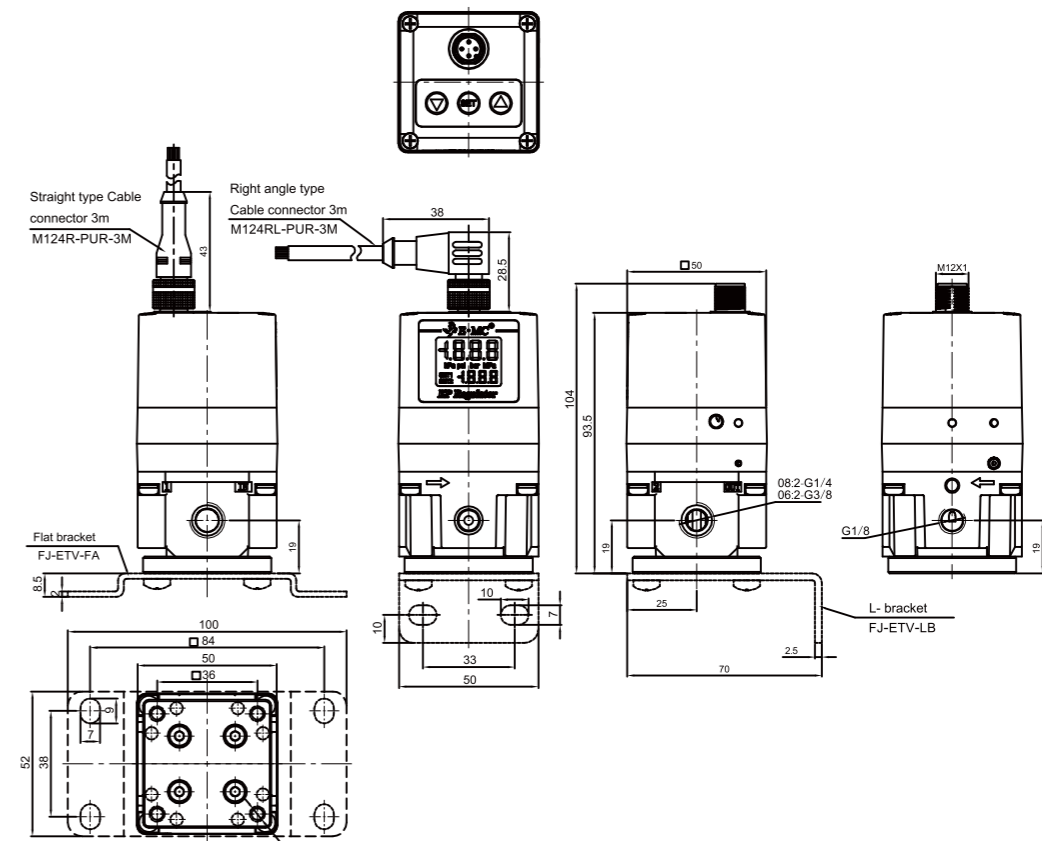
Flow Chart



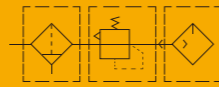
Specifications

Model	ETV20-08	ETV20-10
Port size	G1/4	G3/8
Flow rate characteristics	1.5	2.0
Pressure range	0-0.1/0.5/0.9MPa	
Input signal	0-5/10V or 0/4-20mA or 4points preset input	
Monitor output	4-20mA / 1-5V / 1 point switch output	
connector type	4-pins M12A standard(Male)	
Supply Voltage	DC24V $\pm 10\%$	
Power	$\leq 3W$	
Enclosure	IP65 (DIN40050)	
Working temperature	0-50°C	
Working medium	Clear air(After 5μm filtration)	
LED display	Set pressure and actual pressure display at the same time	
Valve body	Aluminium alloy	
Installation position	Random direction	
Max input pressure	1.0MPa (range0-0.1MPa, Max input pressure 0.2MPa)	
Min input pressure	bigger than max output pressure by 0.1Mpa	
Accuracy	$\leq \pm 0.5\%$	
Linearity	$\leq 1.0\%F.S.$	
Repeatability	$\leq \pm 0.5\%F.S.$	
Hysteresis	$\leq 0.5\%F.S.$	

Main Dimension



EIC F.R.L



Specifications

Model	EIC2000	EIC3000	EIC4000	EIC5000
Proof pressure(MPa)	1.5			
Max. working pressure(MPa)	1.0			
Working temperature(°C)	5-60			
Filter precision	25µm(5 µm is optional)			
Recommended oil	Turbine No.1 Oil ISOVG32			
Bowl material	Polycarbonate			
Bowl guard	None	Available		
Pressure adjusting range(MPa)	0.15-0.85			
Valve type	With overflow			

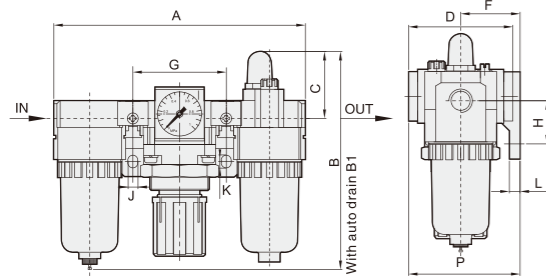
Model	Specifications				* Rated flow (L/min)	* Port size (G)
	Filter	Assembly Regulator	Lubricator			
EIC2000-01					1000	1/8
EIC2000-02	EIF2000	EIR2000	EIL2000		1100	1/4
EIC3000-02	EIF3000	EIR3000	EIL3000		1950	1/4
EIC3000-03					2105	3/8
EIC4000-03	EIF4000	EIR4000	EIL4000		4950	3/8
EIC4000-04					5200	1/2
EIC5000-06	EIF5000	EIR5000	EIL5000		6200	3/4
EIC5000-10					6500	1

* The above information is based on 8.0 Bar supply pressure and 6.3 Bar set pressure

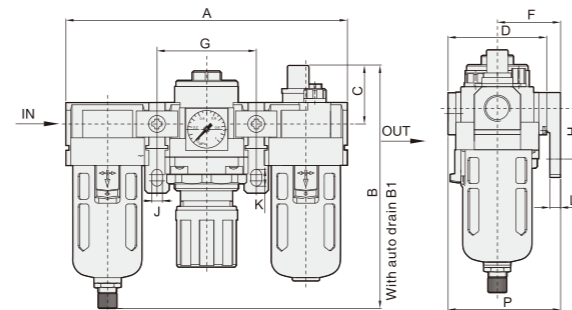
* NPT,PT port size is optional

Main Dimension

EIC2000

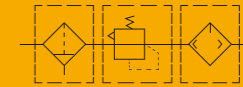


EIC3000-EIC5000



Model	Port Size (G)	A	B	B1	C	D	F	G	H	J	K	L	P
EIC2000	1/8"-1/4"	140	123	161	37.5	54	30	50	24	5.5	8.5	5	57
EIC3000	1/4"-3/8"	184	157.5	170	39	64	41	65	35	7.5	11	7.2	71
EIC4000	3/8"-1/2"	238	190	194	40	80	50	84	40	9	13	7.2	88
EIC5000	3/4"-1"	300	271.5	274.5	45.5	90	69.8	105	50	12	16	10.5	115

EIC FR.L



Specifications

Model	EIC2010	EIC3010	EIC4010	EIC5010
Proof pressure(MPa)	1.5			
Max. working pressure(MPa)	1.0			
Working temperature(°C)	5-60			
Filter precision	25µm(5 µm is optional)			
Recommended oil	Turbine No.1 Oil ISOVG32			
Bowl material	Polycarbonate			
Bowl guard	None	Available		
Pressure adjusting range(MPa)	0.15-0.85			
Valve type	With overflow			

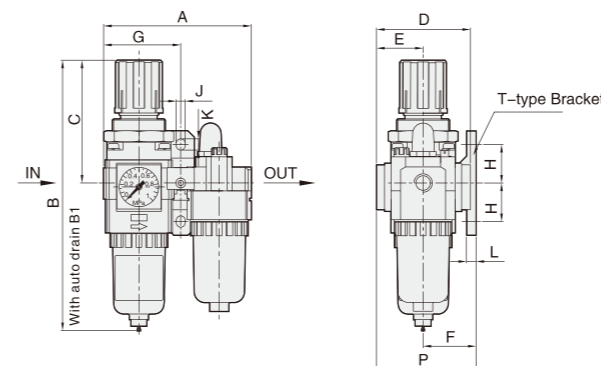
Model	Assembly		* Rated flow (L/min)	* Port size (G)
	Filter with pressure reducer	Lubricator		
EIC2010-01			945	1/8
EIC2010-02	EIW2000	EIL2000	960	1/4
EIC3010-02			1874	1/4
EIC3010-03			1956	3/8
EIC4010-03	EIW4000	EIL4000	4923	3/8
EIC4010-04			5120	1/2
EIC5010-06			6000	3/4
EIC5010-10	EIW5000	EIL5000	6200	1

* The above information is based on 8.0 Bar supply pressure and 6.3 Bar set pressure

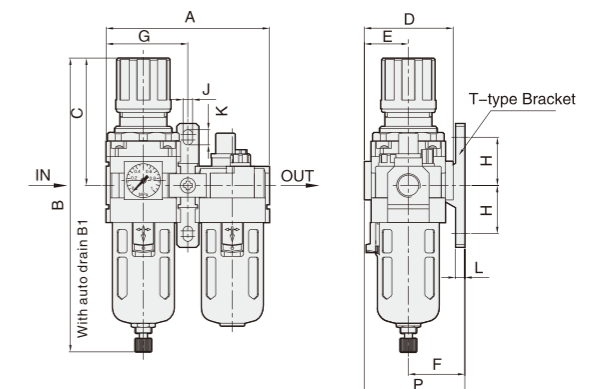
* NPT,PT port size is optional

Main Dimension

EIC2010

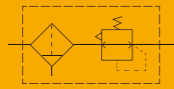


EIC3010-EIC5010



Model	Port Size (G)	A	B	B1	C	D	E	F	G	H	J	K	L	P
EIC2010	1/8"-1/4"	90	168.5	205.5	82	54	27	29.5	45	24	5.5	8.5	5	56.5
EIC3010	1/4"-3/8"	117	210.5	224.5	92	63	31.5	40	59.5	35	7.5	11	7.2	71.5
EIC4010	3/8"-1/2"	154	264	267	113.5	80	40	49.5	77	39	9	13	7.2	89.5
EIC5010	3/4"-1"	195	343	348	121.5	94	47	68.5	97.5	50	12	16	10.5	115.5

EIW F&R



Specifications

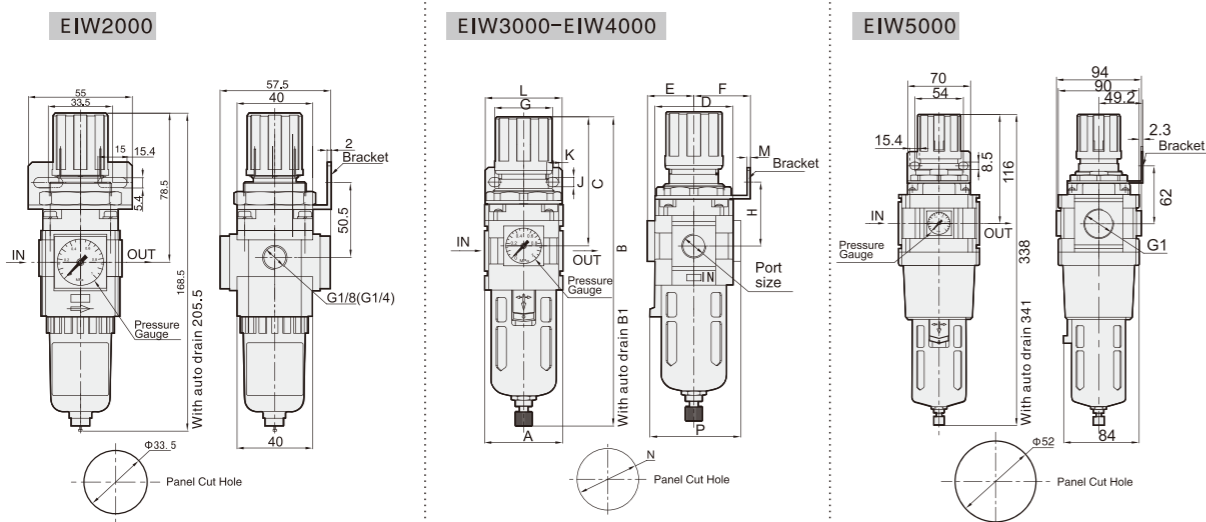
Model	EIW2000	EIW3000	EIW4000	EIW5000
Proof pressure(MPa)			1.5	
Max. working pressure			1.0	
Working temperature(°C)			5-60	
Filter precision		25µm(5 µm is optional)		
Bowl material		Polycarbonate		
Bowl guard(MPa)	None		Available	
Pressure adjusting range			0.15-0.85	
Valve type			With overflow	

Model	Specifications		Drain function	Auto drain model
	*Rated flow (L/min)	*Port size(G)		
EIW2000-01	1078	1/8	Manual drain	EIW2000-01D
EIW2000-02	1165	1/4		EIW2000-02D
EIW3000-02	1998	1/4	Zero pressure drain/Manual drain	EIW3000-02D
EIW3000-03	2177	3/8		EIW3000-03D
EIW4000-03	5108	3/8		EIW4000-03D
EIW4000-04	5211	1/2		EIW4000-04D
EIW5000-06	6200	3/4		EIW5000-06D
EIW5000-10	6400	1		EIW5000-10D

* The above information is based on 8.0 Bar supply pressure and 6.3 Bar set pressure

* NPT,PT port size is optional

Main Dimension



Model	Port Size (G)	A	B	B1	C	D	E	F	G	H	J	K	L	M	N	P
EIW2000	1/8"-1/4"	40	168.5	205.5	78.5	40	27	30.5	33.5	49.5	5.4	15	55	2	33	40
EIW3000	1/4"-3/8"	53	210.5	224.5	92	53	31.5	39	40	45.5	6.5	8	53	2	42	63
EIW4000	3/8"-1/2"	70	264	267	113.5	70	40	48	53.5	54.5	8.5	10.5	70	2	52	73
EIW5000	3/4"-1"	90	343	348	116.5	90	47	48	53.5	62	8.5	10.5	70	2	52	84

EIF Filter



Specifications

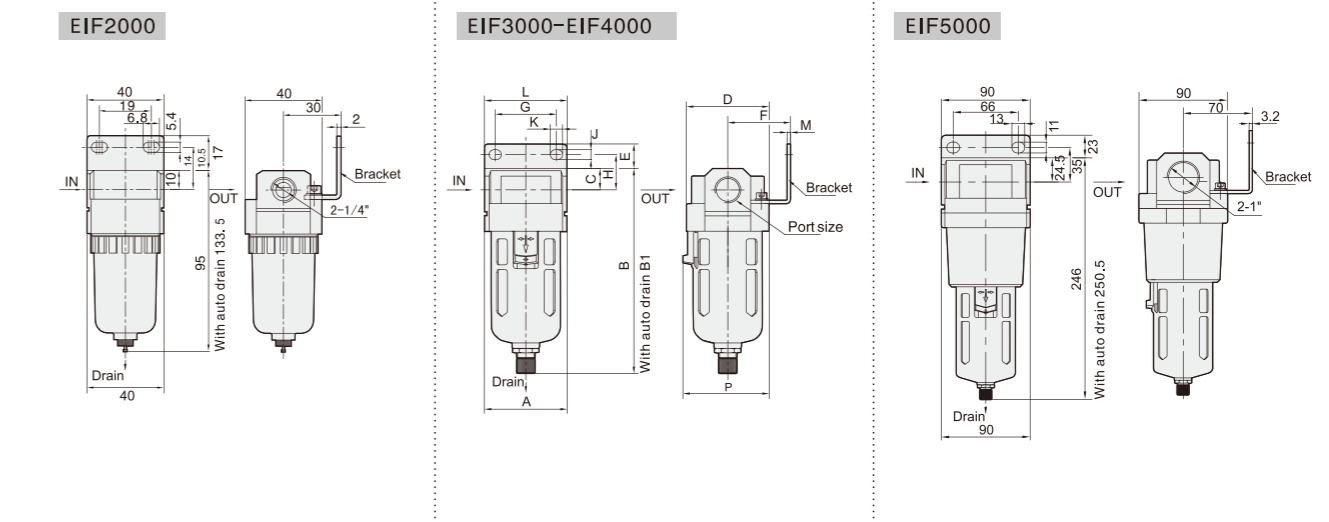
Model	EIF2000	EIF3000	EIF4000	EIF5000
Proof pressure(MPa)			1.5	
Max. working pressure(MPa)			1.0	
Working temperature(°C)			5-60	
Filter precision		25µm(5 µm is optional)		
Bowl material		Polycarbonate		
Bowl guard	None		Available	
Entrance pressure(MPa)			0.15-1.0	

Model	Specifications			Drain function	Auto drain model
	*Rated flow (L/min)	*Port size (G)	Bowl capacity (cm ³)		
EIF2000-01	1222	1/8	15	Manual drain	EIF2000-01D
EIF2000-02	1278	1/4			EIF2000-02D
EIF3000-02	2006	1/4	20	Zero pressure drain/Manual drain	EIF3000-02D
EIF3000-03	2148	3/8			EIF3000-03D
EIF4000-03	5120	3/8	EIF4000-03D		
EIF4000-04	5430	1/2	EIF4000-04D		
EIF5000-06	8200	3/4	EIF5000-06D		
EIF5000-10	8500	1	EIF5000-10D		

* The above information is based on 6.3 Bar supply pressure and 1.0 Bar set pressure

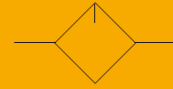
* NPT,PT port size is optional

Main Dimension



Model	Port Size (G)	A	B	B1	C	D	E	F	G	H	J	K	L	M	P
EIF2000	1/8"-1/4"	40	95	133.5	10.5	40	25	31	19	14	17	6.8	40	2	-
EIF3000	1/4"-3/8"	53	132.5	145	14	53	15	41.5	40	22	6.5	8	53	2	56
EIF4000	3/8"-1/2"	70	168	171.5	18	70	18	53	54	27	8.5	10.5	70	2	73
EIF5000	3/4"-1"	90	246	250	24	90	23	67	66	35	11	13	90	3	-

EIL Lubricator



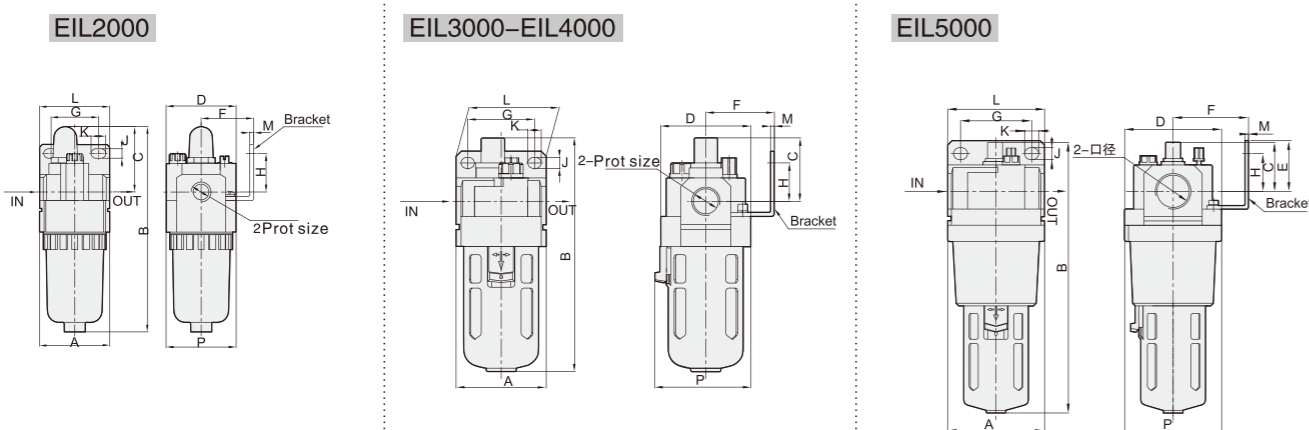
Specifications

Model	EIL2000	EIL3000	EIL4000	EIL5000
Proof pressure(MPa)	1.5			
Max. working pressure(MPa)	1.0			
Working temperature(°C)	5-60			
Recommended oil	Turbine No.1 Oil ISOVG32			
Bowl material	Polycarbonate			
Bowl guard	None	Available		
Entrance pressure(MPa)	0.15-1.0			

Model	Specifications			
	* Minimal flow of oil drop (L/min)	* Rated flow (L/min)	* Port size(G)	Bowl capacity (cm ³)
EIL2000-01	15	1300	1/8	25
EIL2000-02		1345	1/4	
EIL3000-02	30	2310	1/4	50
EIL3000-03	40	2375	3/8	
EIL4000-03	40	5321	3/8	130
EIL4000-04	50	5532	1/2	
EIL5000-06	190	7700	3/4	130
EIL5000-10		8000	1	

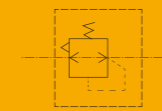
* The above information is based on 5.1Bar supply pressure, the flow of oil drop is 2-3 drops/ min, the temperature of Turbine No.1 oil is 20°C
 * The above information is based on 5.1Bar supply pressure and 0.3Bar step down
 * NPT,PT port size is optional

Main Dimension



Model	Port Size (G)	A	B	C	D	F	G	H	J	K	L	M	P
EIL2000	1/8"-1/4"	40	115	37.5	40	31	19	14	17	6.8	40	2	40
EIL3000	1/4"-3/8"	53	141	39	53	41	40	23	6.5	8	53	2	56
EIL4000	3/8"-1/2"	70	175	40	70	53	54	26	8.5	10.5	70	2	73
EIL5000	3/4"-1"	90	254	45.5	90	67	66	35	11	13	90	3	90

EIR Regulator



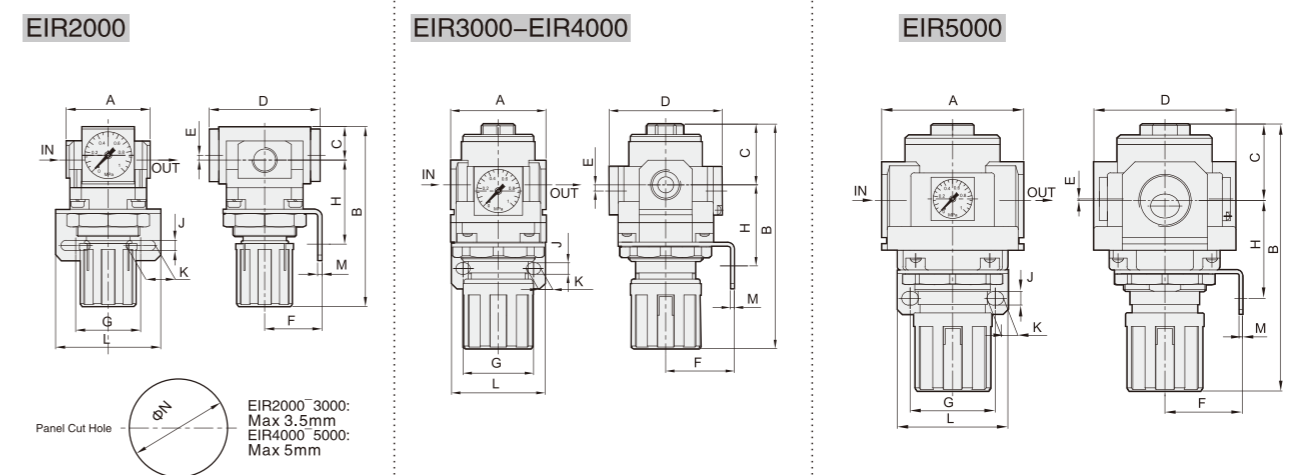
Specifications

Model	EIR2000	EIR3000	EIR4000	EIR5000
Proof pressure(MPa)	1.5			
Max. working pressure(MPa)	1.0			
Working temperature(°C)	5-60			
Pressure adjusting range(MPa)	0.05-0.85			
Valve type	With overflow			

Model	Specifications	
	* Rated flow (L/min)	* Port Size (G)
EIR2000-01	1178	1/8
EIR2000-02	1200	1/4
EIR3000-02	2112	1/4
EIR3000-03	2212	3/8
EIR4000-03	5020	3/8
EIR4000-04	5312	1/2
EIR5000-06	6400	3/4
EIR5000-10	6600	1

* The above information is based on 8.0 Bar supply pressure and 6.3 Bar set pressure * NPT,PT port size is optional

Main Dimension



Model	Port Size (G)	A	B	C	D	E	F	G	H	J	K	L	M	N
EIR2000	1/8"-1/4"	40	95	17	55	1.3	30.5	33.5	44	5.4	15	55	2	33
EIR3000	1/4"-3/8"	53	127.5	34.5	64	3	39	40	46	6.5	8	53	2	42
EIR4000	3/8"-1/2"	70	149.5	37.5	81	4	48	53.5	54.5	8.5	10.5	70	2	52
EIR5000	3/4"-1"	90	168	49	90	0.5	48	53.5	62	8.5	10.5	70	2	52

EIR

Regulator with backflow function



How to order?

Series No.	Valve body size	Type code	Port size	Pressure Gauge code	Bracket code	Scale unit	Thread type
EIR: Regulator with square gauge	Blank: Standard Type K: Backflow type			Blank: With Pressure Gauge N: Without Pressure Gauge		1: Mpa 2: Bar 3: Psi	Blank: G P: PT T: NPT
2000:2000 Series 3000:3000 Series 4000:4000 Series 5000:5000 Series		2000 3000	01: 1/8" 02: 1/4" 03: 3/8"	4000 04: 1/2" ⊕ 5000 06: 3/4" 10: 1"	Blank: With bracket J: Without bracket		

Order Example: Regulator with square gauge, 2000 series body, backflow type, 1/4" port size, with gauge, with bracket, MPa, G thread, ERP code is: EIR2000K-021

- Note:**
1. Backflow type regulator must work separately; the regulator knob must be upward, the air should be left port in and right port out.
 2. 2000 series must work in case of knob upward and left port in & right port out. Right port in & left port out is not available currently.
 3. Standard 3000, 4000, 5000 series with backflow function must conform to above 1st point. If right port in & left port out was requested, EMC can customize it.

Note: ⊕ 3/8" and 3/4" port are not available for 4000 series.

Specification

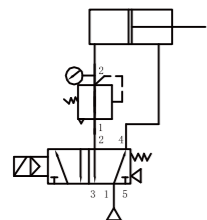
Model	EIR2000K	EIR3000K	EIR4000K	EIR5000K
Working Medium	Clean air (After 40 μm filtration)			
Proof pressure (MPa)	1.5			
Max. Working pressure (MPa)	1.0			
Pressure adjusting range (MPa)	0.05-0.85			
Working temperature (°C)	-5-60 (No freezing)			
Overpressure Exhaust Mechanism	Relieving type			

Model	Rated flow (L/min) *	Port size *
EIR2000K-01	1178	1/8"
EIR2000K-02	1200	1/4"
EIR3000K-02	2112	1/4"
EIR3000K-03	2212	3/8"
EIR4000K-04	5312	1/2"
EIR5000K-06	6400	3/4"
EIR5000K-10	6600	1"

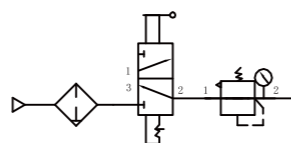
* Supply pressure 8.0Bar, Set pressure 6.3Bar, and pressure difference 1 Bar, testing result shows that standard type and backflow type have same flow rate.
* G, PT, NPT is optional.

Suitable Applications

1. The pressure is different between piston rod side and the opposite side.



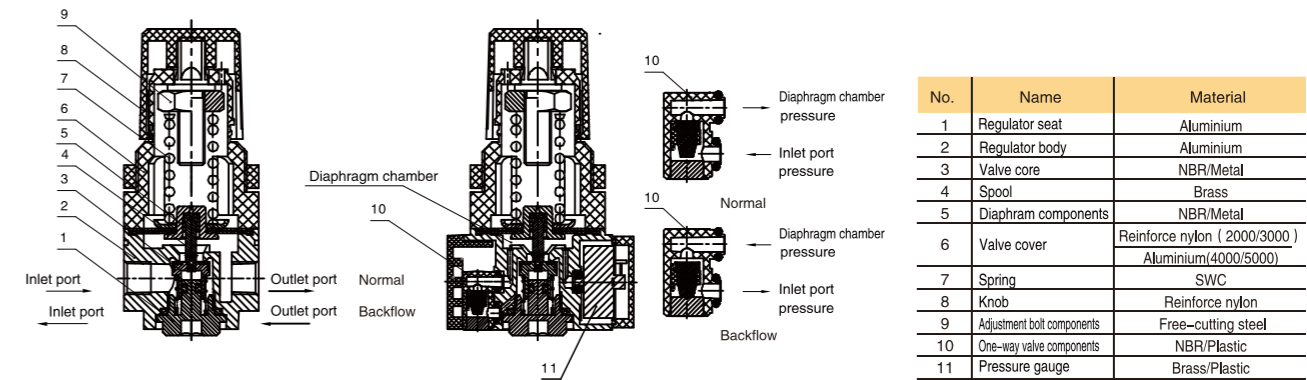
2. Exhaust through the inlet port when air supply stopped. It is a safety precaution.



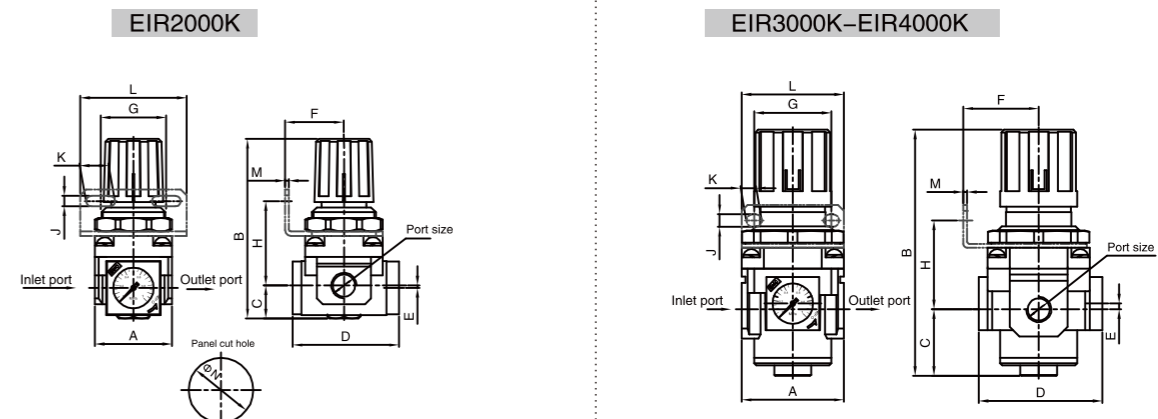
Construction and working principle

Working principle:

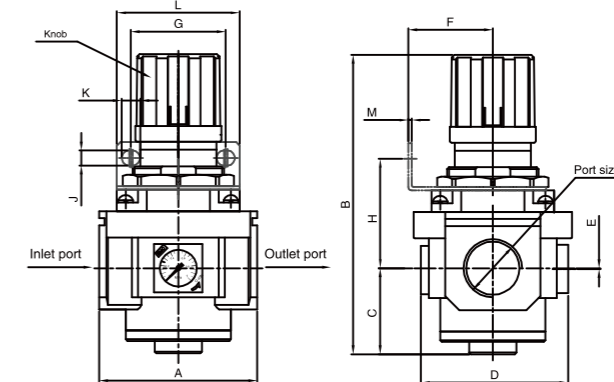
1. When inlet pressure is higher than set pressure, one-way valve 10 closes, it works as a normal regulator.
2. When the inlet pressure blocked, then-way valve 10 opens, pressure in diaphragm chamber exhausts from the inlet side. When diaphragm chamber pressure goes down, diaphragm is pushed down by the spring force, The valve core will be open by valve rod, pressure at the outlet side exhaust through the inlet side, it works as a regulator with backflow function.



Main Dimension



EIR5000K



Note:

1. Backflow type regulator knob should be upward, left port inlet and right port outlet.
2. Standard regulator knob should be downward, left port inlet and right port outlet. (Refer to EI series of standard type)
3. The installation size and dimensions of standard and backflow type are same.

Model	Port size	A	B	C	D	E	F	G	H	J	K	L	M	N
EIR2000K	1/8" - 1/4"	40	95	17	55	1.3	30.5	33.5	44	5.4	15	55	2	33
EIR3000K	1/4" - 3/8"	53	127.5	34.5	64	3	39	40	46	6.5	8	53	2	42
EIR4000K	1/2"	70	149.5	37.5	81	4	48	53.5	54.5	8.5	10.5	70	2	52
EIR5000K	3/4" - 1"	90	168	49	90	0.5	48	53.5	62	8.5	10.5	70	2	52

EIW

Filter regulator with backflow function



How to order?

Series No.	Valve body size	Type code	Port size	Drain Type	Pressure Gauge Code	Bracket code	Scale unit	Filter Precision	Thread type
EIW:Regulator filter with square gauge		Blank: Standard Type K: Backflow type		Blank: Manual drain type C: Semi-auto drain D: Auto Drain type			1: Mpa 2: Bar 3: Psi	Blank: 25 μm 5M: 5 μm	Blank: G P: PT T: NPT
2000:2000 Series 3000:3000 Series 4000:4000 Series 5000:5000 Series		2000 3000	01: 1/8" 02: 1/4"	03: 3/8" 04: 1/2" 06: 3/4" 10: 1"		Blank: With bracket J: Without bracket Blank: With pressure gauge N: Without pressure gauge			

Order Example: Regulator filter with square gauge, 2000 series body, backflow type, 1/4" port, auto drain type, with gauge, with bracket, MPa, filter precision 5 μm, G thread, ERP code is:EIW2000K-02D15M.

- Note:**
- Backflow type regulator filter must work separately; the knob must be upward, the air should be left port in and right port out.
 - 2000 series must work in case of knob upward and left port in & right port out. Right port in & left port out is not available currently.
 - Standard 3000,4000,5000 series with backflow function must conform to above 1st point. If right port in & left port out was requested, EMC can customize it.

Specification

Model	EIW2000K	EIW3000K	EIW4000K	EIW5000K
Working Medium	Clean air(After 40 μm filtration)			
Proof pressure(MPa)	1.5			
Max. Working pressure(MPa)	1.0			
Pressure adjusting range(MPa)	0.15~0.85			
Working temperature(°C)	-5~60 (No freezing)			
Filter precision	25 μm/5 μm optional			
Bowl material	PC(Polycarbonate)			
Bowl guard	None	Available		
Overpressure Exhaust Mechanism	Relieving type			

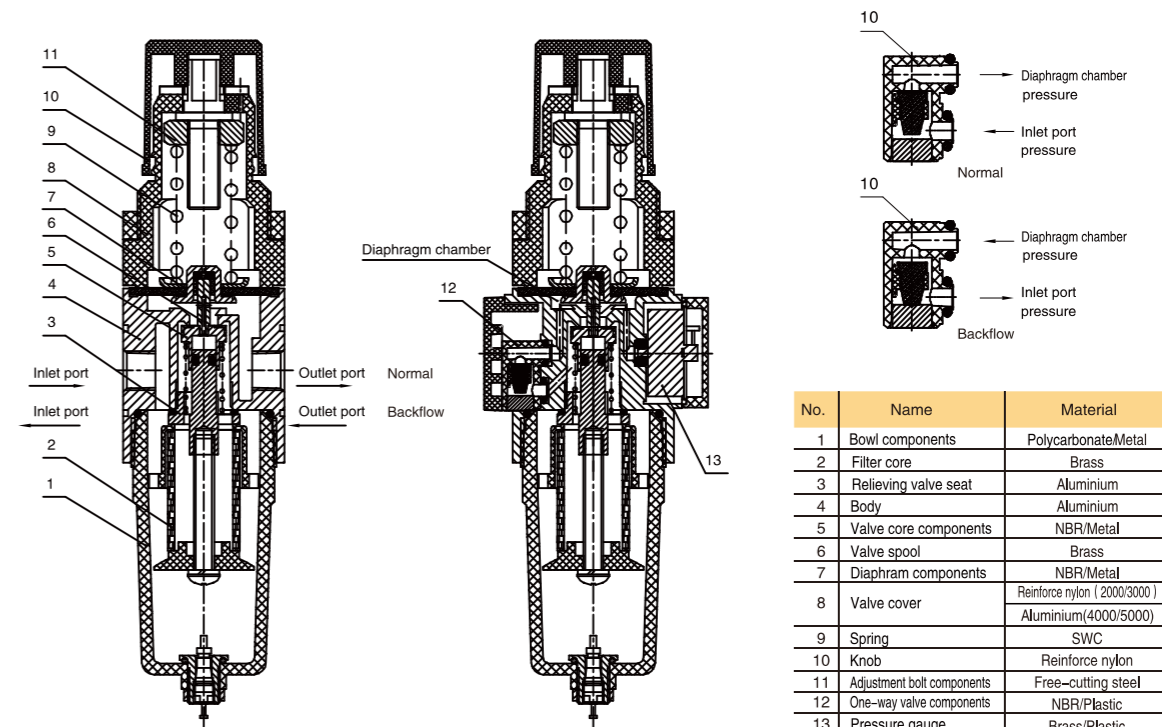
Model	Rated flow(L/min) *	Port size *
EIW2000K-01	1078	1/8"
EIW2000K-02	1165	1/4"
EIW3000K-02	1998	1/4"
EIW3000K-03	2177	3/8"
EIW4000K-03	5108	3/8"
EIW4000K-04	5211	1/2"
EIW4000K-06	5900	3/4"
EIW5000K-06	6200	3/4"
EIW5000K-10	6400	1"

* Supply pressure 8.0Bar, Set pressure 6.3Bar, and pressure difference 1 Bar, testing result shows that standard type and backflow type have same flow rate.
* G, PT, NPT is optional.

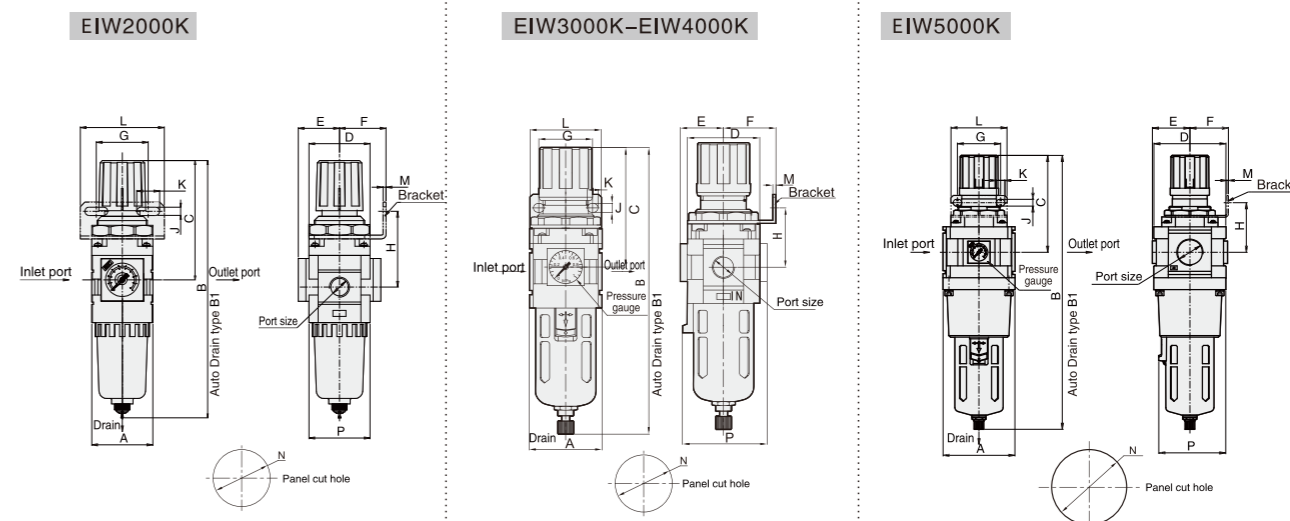
Construction and working principle

Working principle:

- When inlet pressure is higher than set pressure, one-way valve 10 closes, it works as a normal regulator.
- When the inlet pressure blocked, then-way valve 12 opens, pressure in diaphragm chamber exhausts from the inlet side. When diaphragm chamber pressure goes down, diaphragm is pushed down by the spring force, The valve core will be open by valve rod, pressure at the outlet side exhaust through the inlet side, it works as a regulator with backflow function.



Main Dimension



Model	Port size	A	B	B1	C	D	E	F	G	H	J	K	L	M	N	P
EIW2000K	1/8"-1/4"	40	168.5	205.5	78.5	40	27	30.5	33.5	49.5	5.4	15	55	2	33	40
EIW3000K	1/4"-3/8"	53	210.5	224.5	92	53	31.5	39	40	45.5	6.5	8	53	2	42	63
EIW4000K	3/8"-1/2"	70	264	267	113.5	70	40	48	53.5	54.5	8.5	10.5	70	2	52	73
EIW4000K-06	3/4"	90	343	348	116.5	90	47	48	53.5	62	8.5	10.5	70	2	52	84
EIW5000K	3/4"-1"	90	343	348	116.5	90	47	48	53.5	62	8.5	10.5	70	2	52	84

4 EIW Backflow function

4 EIW Backflow function

How to Order?

Series No.	Type Code	Body Size	Combination	QTY	Port Size	Drain Type	Pressure Gauge Code	Bracket Code	Scale Unit	Filter Precision	Thread Type
E: Round gauge series			10: Two units (Regulator+Lubricator) 00: Others								
C: Filter+regulator+Lubricator	10: 1000 body										
W: Filter+regulator	20: 2000 body										
F: Filter	30: 3000 body										
R: Regulator	40: 4000 body										
L: Lubricator	50: 5000 body										
			1000 M5: M5		4000 03: 3/8"						
			2000 01: 1/8"		04: 1/2"						
			02: 1/4"		06: 3/4"						
			3000 02: 1/4"		5000 06: 3/4"						
			03: 3/8"		10: 1"						
						Blank: Manual drain type C: Semi-auto drain D: Auto Drain type					
						Blank: With pressure gauge N: No pressure gauge					
						Blank: With bracket J: No bracket					
						Blank: 25 μm 5M: 5 μm					
						4: Mpa/Psi(Default) 5: Bar/Psi					
						Blank: G P: PT T: NPT					

Order Example:
E series regulator, 2000 body size, 1/8 port size, with pressure gauge, with bracket, scale unit is Mpa/Psi, G thread, ERP code is: ER2000-01 4

Air Preparation Unit Kits

ER

NO.	NAME	QTY	MATERIAL
26	Regulate handle	1	Reinforce nylon
25	Symbol ring	1	Reinforce nylon
24	Nut	1	Reinforce nylon
23	Cross screw	4	Carbon steel
22	Spring washer	4	Carbon steel
21	Valve cover	1	Reinforce nylon
20	Regulate bolt	1	Carbon steel
19	Washer	1	POM
18	Regulate Nut	1	Carbon steel
17	Spring	1	Carbon steel
16	Spring seat	1	Carbon steel
15	Diaphragm	1	NBR
14	Diaphragm seat	1	Brass
13	Pipe	1	POM
12	Retainer ring	1	Carbon steel
11	O-ring	1	NBR
10	Plug	1	Carbon steel
9	Valve body	1	Aluminum
8	Spool	1	Brass+NBR
7	Valve core	1	Brass
6	Retainer ring	1	Carbon steel
5	Spring	1	Stainless steel
4	Washer	1	Carbon steel
3	O-ring	1	NBR
2	O-ring	1	NBR
1	Regulator seat	1	ZZnAl4-1

EF

NO.	NAME	QTY	MATERIAL
19	Lock	1	ABS
17	Pin	1	ABS
16	Spring	1	Stainless steel
15	Metal bowl	1	Carbon steel
14	Nut	1	Cu
13	Hex Nut	1	Cu
12	O-ring	1	NBR
11	Drain valve	1	Cu
10	O-ring	1	NBR
9	Spring	1	Stainless steel
8	Valve core	1	Cu
7	Water cup	1	Polycarbonate
6	Drain board	1	ABS
5	Bolt	1	Carbon steel
4	Filter element	1	Cu
3	Blade	1	ABS
2	O-ring	1	NBR
1	Regulator body	1	Aluminum

EL

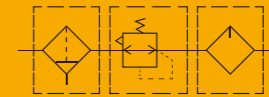
NO.	NAME	QTY	MATERIAL
37	Lock	1	ABS
36	Pin	1	ABS
35	Spring	1	Stainless steel
34	Bowl guard	1	Carbon steel
33	Oil cup	1	Polycarbonate
32	O-ring	1	NBR
31	O-ring	1	NBR
30	Oil tube	1	PU
29	Pin	1	Carbon steel
28	Fitting	1	POM
27	Steel ball	1	Carbon steel
26	O-ring	1	NBR
25	Hex screw	1	NBR
24	Spring washer	4	Carbon steel
23	Middle part	1	Aluminum
22	O-ring	1	NBR
21	Fiber element	1	Brass
20	Screw	2	Carbon steel
19	Reed seat board	1	ZZnAl4-1
18	One way valve plate	1	Cu
17	Spring	1	Stainless steel
16	Steel ball	1	Carbon steel
15	Small hole seat	1	Brass
14	Bracket	1	ZZnAl4-1
13	Reed seat	1	ZZnAl4-1
12	Reed	1	Polycarbonate
11	Oil regulate valve seat	1	Brass
10	O-ring	1	NBR
9	Regulate needle	1	Brass
8	Lubricator body	1	Aluminum
7	O-ring	1	NBR
6	Oil drip tube	1	Polycarbonate
5	O-ring	1	NBR
4	Oil window	1	Polycarbonate
3	Oil regulate screw	1	ABS
2	O-ring	1	NBR
1	Plug	1	ABS

EW

NO.	NAME	QTY	MATERIAL
41	Spring	1	Carbon steel
40	Regulate Nut	1	Carbon steel
39	Washer	1	POM
38	Regulate Bolt	1	Carbon steel
37	Spring washer	4	Carbon steel
36	Cross screw	4	Carbon steel
35	Valve cover	1	Reinforce nylon
34	Nut	1	Reinforce nylon
33	Symbol ring	1	Reinforce nylon
32	Regulate handle	1	Reinforce nylon
31	Overflow valve seat	1	ZZnAl4-1
30	Spring	1	Stainless steel
29	Retainer ring	1	Carbon steel
28	O-ring	1	NBR
27	Valve core	1	Brass
26	Spool	1	Brass+NBR
25	Plug	1	Carbon steel
24	Regulator Body	1	Aluminum
23	O-ring	1	NBR
22	Retainer ring	1	Carbon steel
21	Pipe	1	POM
20	Diaphragm seat	1	Brass
19	Diaphragm	1	NBR
18	Diaphragm Pallet	1	Carbon steel
17	Water cup	1	Polycarbonate
16	O-ring	1	NBR
15	Drain board	1	ABS
14	Bolt	1	Carbon steel
13	Filter element	1	Brass
12	Whisking blade	1	ABS
11	Bowl guard	1	Carbon steel
10	Spring	1	Stainless steel
9	Lock	1	ABS
8	Nut	1	Brass
7	Nut	1	Brass
6	Hex Nut	1	Brass
5	O-ring	1	NBR
4	Drain valve	1	Brass
3	O-ring	1	NBR
2	Spring	1	Stainless steel
1	Valve core	1	Brass

EC

F.R.L



Specifications

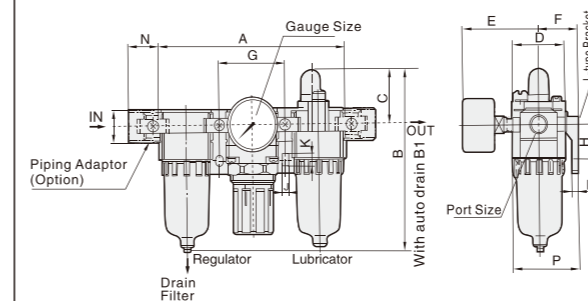
Model	EC1000	EC2000	EC2500	EC3000	EC4000	EC5000
Proof pressure(MPa)	1.5					
Max. working pressure(MPa)	1.0					
Working temperature(°C)	5-60					
Filter precision	25μm(5 μm is optional)					
Recommended oil	Turbine No.1 Oil ISOVG32					
Bowl material	Polycarbonate					
Bowl guard	None					Available
Pressure adjusting range(MPa)	0.15-0.85					
Valve type	With overflow					

Model	Specifications				Pressure gauge thread size (G)	Weight (kg)	Accessories
	Filter	Regulator	Lubricator	* Rated flow (L/min)			
EC1000-M5	EF1000	ER1000	EL1000	90	M5	0.26	Y10L
EC2000-01	EF2000	ER2000	EL2000	1000	1/8	0.74	Y20L
EC2000-02				1100	1/4		
EC3000-02	EF3000	ER3000	EL3000	1950	1/4	1.18	Y30L
EC3000-03				2105	3/8		
EC4000-03	EF4000	ER4000	EL4000	4950	3/8	2.14	Y40L
EC4000-04				5200	1/2		
EC4000-06	EF4000-06	ER4000-06	EL4000-06	5600	3/4	2.47	Y50L
EC5000-06	EF5000	ER5000	EL5000	6200	3/4	3.82	Y60L
EC5000-10				6500	1		

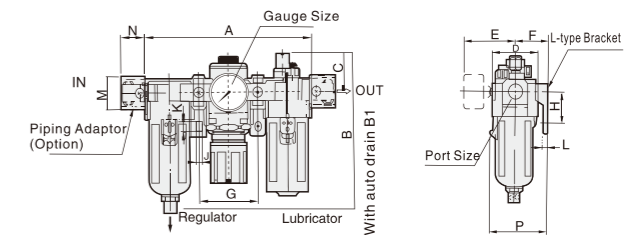
* The above information is based on 8.0 Bar supply pressure and 6.3 Bar set pressure * NPT,PT port size is optional

Main Dimension

EC1000-EC2000



EC3000-EC5000

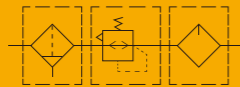


Model	Port Size (G)	A	B	B1	C	D	E	F	G	H	J	K	L	M	N	P
EC1000	M5	91	84.5	-	25.5	25	26	25	33	20	4.5	7.5	5	17.5	16	38.5
EC2000	1/8"-1/4"	140	123.5	161	37.5	40	53	30	50	24	5.5	8.5	5	22	23	50
EC3000	1/4"-3/8"	181	157.5	170	39	53	57	41	64	35	7.5	11	7.2	34.2	26	70.5
EC4000	3/8"-1/2"	238	190	194	40	70	62	50	84	40	9	13	7.2	42.2	33	88
EC4000-06	3/4"	253	191.5	194.5	39	70	66	50	89	40	9	13	7.2	46.2	36	88
EC5000	3/4"-1"	300	271.5	274.5	45.5	90	72	69.8	105	50	12	16	10.5	55.2	40	115

4
EIL

4
EC

EC FR.L



Specifications

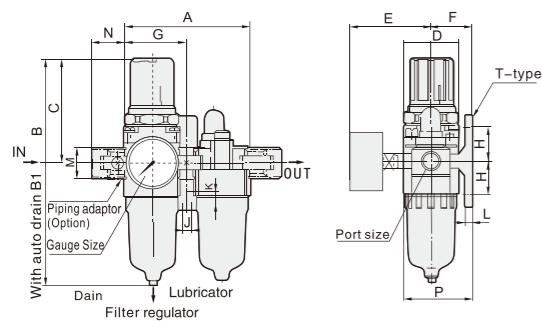
Model	EC1010	EC2010	EC3010	EC4010	EC5010
Proof pressure(MPa)	1.5				
Max. working pressure(MPa)	1.0				
Working temperature(°C)	5-60				
Filter precision	25µm (5 µm is optional)				
Recommended oil	Turbine No.1 Oil ISOVG32				
Bowl material	Polycarbonate				
Bowl guard	None				Available
Pressure adjusting range(MPa)	0.15-0.85				
Valve type	With overflow				

Model	Specifications						Accessories
	Assembly		* Rated flow (L/min)	** Port size (G)	Pressure gauge thread size (G)	Weight (kg)	
	Filter with pressure	Lubricator					
EC1010-M5	EW1000	EL1000	90	M5	1/16	0.22	Y10T
EC2010-01	EW2000	EL2000	945	1/8	1/8	0.66	Y20T
EC2010-02			960	1/4			
EC3010-02	EW3000	EL3000	1874	1/4	1/8	0.98	Y30T
EC3010-03			1956	3/8			
EC4010-03	EW4000	EL4000	4923	3/8	1/4	1.93	Y40T
EC4010-04			5120	1/2			
EC4010-06	EW4000-06	EL4000-06	5000	3/4	1/4	1.99	Y50T
EC5010-06	EW5000	EL5000	6000	3/4	1/4	3.20	Y60T
EC5010-10			6200	1			

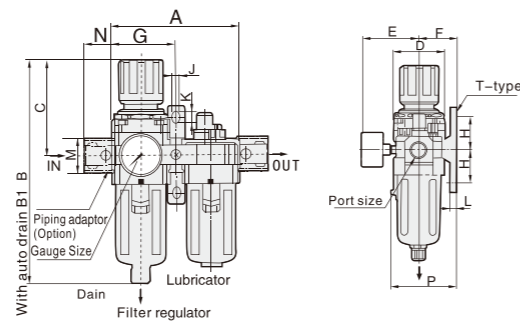
* The above information is based on 8.0 Bar supply pressure and 6.3 Bar set pressure * NPT,PT port size is optional

Main Dimension

EC1010-EC2010

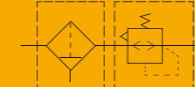


EC3010-EC5010



Model	Port Size (G)	A	B	B1	C	D	E	F	G	H	J	K	L	M	N	P
EC1010	M5	58	109.5	-	50.5	25	26	25	29	20	4.5	7.5	5	17.5	16	38.5
EC2010	1/8"-1/4"	90	162	200	76	40	53	29.5	45	24	5.5	8.5	5	22	23	50
EC3010	1/4"-3/8"	116	210.5	224.5	92	53	51	40	58.5	35	7.5	11	7.2	34.2	26	69.5
EC4010	1/4"-3/8"	154	264	267	113.5	70	67	49.5	77	40	9	13	7.2	42.2	33	88
EC4010-06	3/4"	164	268	271	115	70	67	49.5	82	40	9	13	7.2	46.2	36	88
EC5010	3/4"-1"	195	343	348	116.5	90	72	68.5	97.5	50	12	16	10.5	55.2	40	115

EW F&R



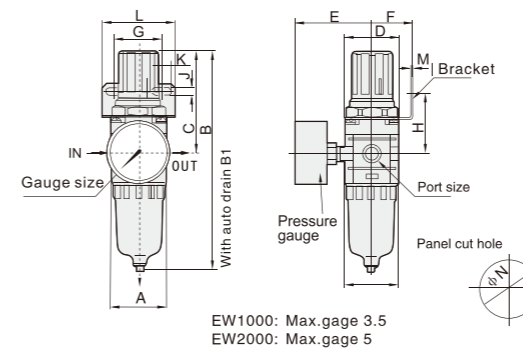
Specifications

Model	EW1000	EW2000	EW3000	EW4000	EW5000
Proof pressure(MPa)	1.5				
Max. working pressure(MPa)	1.0				
Working temperature(°C)	5-60				
Filter precision	25µm (5 µm is optional)				
Bowl material	Polycarbonate				
Bowl guard	None				Available
Pressure adjusting range (MPa)	0.15-0.85				
Valve type	With overflow				

Model	Specifications				Accessories	Drain function	Auto drain model
	*Rated flow(L/min)	** Port size (G)	Pressure gauge thread size	Weight (kg)			
EW1000-M5	100	M5	1/16	0.09	Bracket		EW2000-01D EW2000-02D
EW2000-01	1078	1/8	1/8	0.36	B120		
EW2000-02	1165	1/4	1/8	0.56	B220		EW3000-02D EW3000-03D
EW3000-02	1998	1/4	1/8				
EW3000-03	2177	3/8	1/8	1.15	B320		EW4000-03D EW4000-04D
EW4000-03	5108	3/8	1/4				
EW4000-04	5211	1/2	1/4	1.21	B420		EW4000-06D EW5000-06D
EW4000-06	5750	3/4	1/4				
EW5000-06	6200	3/4	1/4	1.70			EW5000-06D EW5000-10D
EW5000-10	6400	1	1/4				

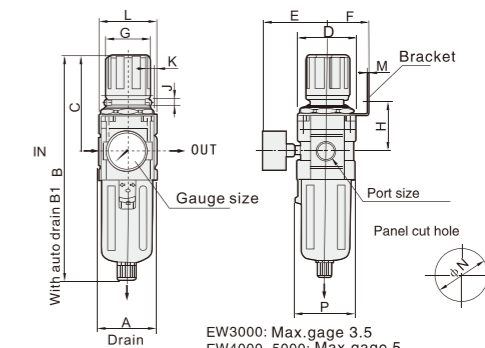
Main Dimension

EW1000-EW2000



EW1000: Max. gage 3.5
EW2000: Max. gage 5

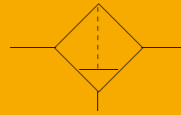
EW3000-EW5000



EW3000: Max. gage 3.5
EW4000-5000: Max. gage 5

Model	Port Size (G)	A	B	B1	C	D	E	F	G	H	J	K	L	M	N	P
EW1000	M5	25	109.5	-	50.5	25	26	25	28	30	4.5	6.5	40	2	20.5	28
EW2000	1/8"-1/4"	40	162	200	76	40	53	30.5	33.5	43	5.4	15	55	2	33	40
EW3000	1/4"-3/8"	53	210.5	224.5	92	53	57	39	40	45	6.5	8	53	2	42	56
EW4000	3/8"-1/2"	70	264	267	113.5	70	67	48	53.5	53.5	8.5	10.5	70	2	52	73
EW4000-06	3/4"	75	268	271	115	70	67	48	53.5	53.5	8.5	10.5	70	2	52	73
EW5000	3/4"-1"	90	343	348	116.5	90	72	48	53.5	62	8.5	10.5	70	2	52	90

EF Filter



Specifications

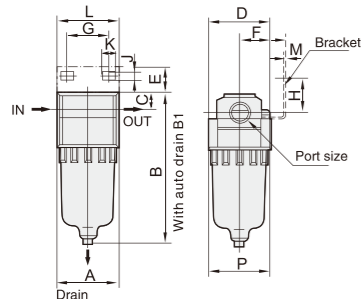
Model	EF1000	EF2000	EF3000	EF4000	EF5000
Proof pressure(MPa)	1.5				
Max. working pressure(MPa)	1.0				
Working temperature(°C)	5-60				
Filter precision	25µm (5µm is optional)				
Bowl material	Polycarbonate				
Bowl guard	None			Available	
Pressure adjusting range(MPa)	0.15-1.0				

Model	Specifications					Accessories Bracket	Drain function	Auto drain model
	*Rated flow (L/min)	** Port size (G)	Bowl capacity (CM ³)	Weight (kg)				
EF1000-M5	110	M5	4	0.07		-	Manual drain	EF2000-01D
EF2000-01	1222	1/8	15	0.19	B240			EF2000-02D
EF2000-02	1278	1/4						
EF3000-02	2006	1/4	20	0.29	B340	a. Zero pressure drain	EF3000-02D	
EF3000-03	2148	3/8						
EF4000-03	5120	3/8	45	0.55	B440	b. Manual drain	EF4000-03D	
EF4000-04	5430	1/2						
EF4000-06	7680	3/4	45	0.58	B540		EF4000-06D	
EF5000-06	8200	3/4						
EF5000-10	8500	1	130	1.08	B640		EF5000-10D	

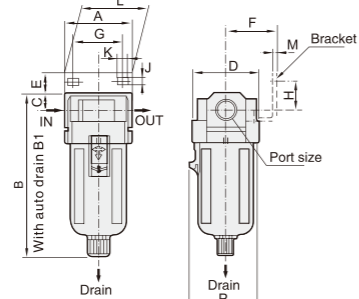
* The above information is based on 6.3 Bar supply pressure and 1.0 Bar set pressure ** NPT,PT port size is optional

Main Dimension

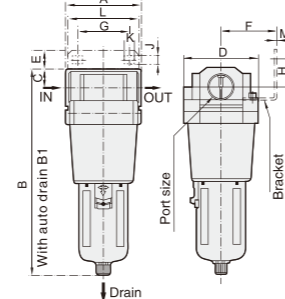
EF1000-EF2000



EF3000-EF4000



EF5000



Model	Port Size (G)	A	B	B1	C	D	E	F	G	H	J	K	L	M	P
EF1000	M5	25	66	-	7	25	-	-	-	-	-	-	-	-	26.5
EF2000	1/8"-1/4"	40	96.5	134.5	11	40	25	31	19	14	17	6.8	40	2	40
EF3000	1/4"-3/8"	53	132.5	145	14	53	15	22	22	15	22	6.5	8	53	2
EF4000	3/8"-1/2"	70	168	171.5	18	70	18	53	54	27	8.5	10.5	70	2	73
EF4000-06	3/4"	75	172.5	175.5	20	70	14	50	54	25	8.5	10.5	70	2	73
EF5000	3/4"-1"	90	246	250	24	90	23	67	66	35	11	13	90	3	90

EL Lubricator



Specifications

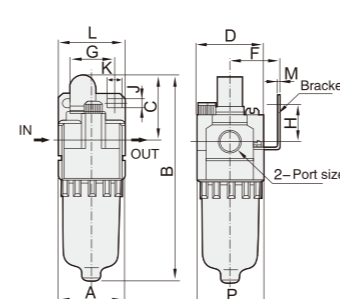
Model	EL1000	EL2000	EL3000	EL4000	EL5000
Proof pressure(MPa)	1.5				
Max. working pressure(MPa)	1.0				
Working temperature(°C)	5-60				
Filter precision	25µm (5µm is optional)				
Bowl material	Polycarbonate				
Bowl guard	None			Available	
Pressure adjusting range (MPa)	0.15-1.0				

Model	Specifications					Accessories Bracket
	Minimal flow of oil drop (L/min)	*Rated flow(L/min)	** Port size (G)	Bowl capacity (CM ³)	Weight (kg)	
EL1000-M5	4	95	M5	7	0.07	-
EL2000-01	15	1300	1/8	25	0.22	B240
EL2000-02		1345	1/4			
EL3000-02	30	2310	1/4	50	0.50	B340
EL3000-03	40	2375	3/8			
EL4000-03	40	5321	3/8	130	0.56	B440
EL4000-04	50	5532	1/2			
EL4000-06	50	6700	3/4	130	0.58	B540
EL5000-06	7700	3/4				
EL5000-10	190	8000	1	130	1.08	B640

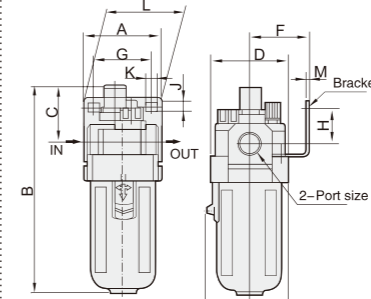
* The above information is based on 6.3 Bar supply pressure, the flow of oil drop is 2-3 drops/min, the temperature of Turbine No.1 oil is 20°C
 * The above information is based on 6.3 Bar supply pressure and 1.0 Bar step down
 * NPT,PT port size is optional

Main Dimension

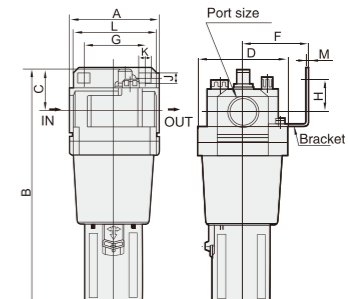
EL1000-EL2000



EL3000-EL4000



EL5000



Model	Port Size (G)	A	B	C	D	F	G	H	J	K	L	M	P
EL1000	M5	25	81.5	25.5	25	-	-	-	-	-	-	-	27
EL2000	1/8"-1/4"	40	115	37.5	40	31	19	14	17	6.8	40	2	40
EL3000	1/4"-3/8"	53	141	39	53	41	40	23	6.5	8	53	2	56
EL4000	3/8"-1/2"	70	175	40	70	53	54	26	8.5	10.5	70	2	73
EL4000-06	3/4"	75	177	39	70	50	54	26	8.5	10.5	70	2	73
EL5000	3/4"-1"	90	254	45.5	90	67	66	35	11	13	90	3	90

ER Regulator



Specifications

Model	ER1000	ER2000	ER3000	ER4000	ER5000
Proof pressure(MPa)			1.5		
Max. working pressure(MPa)			1.0		
Working temperature(°C)			5~60		
Pressure adjusting range(MPa)			0.05-0.85		
Valve type			With overflow		

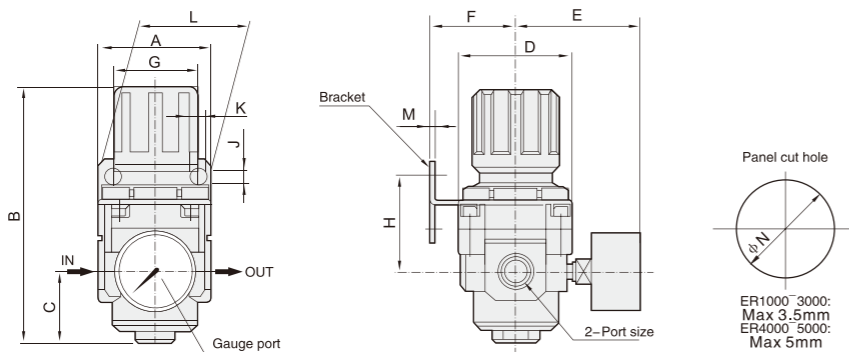
Model	Specifications				Accessories
	*Rated flow(L/min)	** Port size (G)	size (G)	Weight (kg)	
ER1000-M5	100	M5	1/16	0.08	Bracket
ER2000-01	1178	1/8	1/8	0.27	B220
ER2000-02	1200	1/4			
ER3000-02	2112	1/4	1/8	0.41	B320
ER3000-03	2212	3/8			
ER4000-03	5020	3/8	1/4	0.84	B420
ER4000-04	5312	1/2			
ER4000-06	6000	3/4	1/4	0.94	B420
ER5000-06	6400	3/4			
ER5000-10	6600	1	1/4	1.19	

* The above information is based on 8.0 Bar supply pressure and 6.3 Bar set pressure

* NPT,PT port size is optional

Main Dimension

ER1000-ER5000



Model	Port Size (G)	A	B	C	D	E	F	G	H	J	K	L	M	N
ER1000	M5	25	61.5	11	25	26	25	28	30	4.5	6.5	40	2	20.5
ER2000	1/8"-1/4"	40	93	17	40	52	30.5	33.5	44	5.4	15	55	2	33
ER3000	1/4"-3/8"	53	127.5	34.5	53	57	39	40	46	6.5	8	53	2	42
ER4000	3/8"-1/2"	70	149.5	40.5	70	62	48	53.5	54.5	8.5	10.5	70	2	52
ER4000-06	3/4"	75	154	40.5	70	66	48	53.5	55.5	8.5	10.5	70	2	52
ER5000	3/4"-1"	90	168	49	90	72	48	53.5	62	8.5	10.5	70	2	52

How to Order?

Series No.	Type Code	Body Size	Combination QTY	Port Size	Drain Type	Pressure Gauge Code	Bracket Code	Scale Unit	Filter Precision	Thread Type
HNE: Full metal bowl series	C: Filter+regulator+lubricator W: Filter+regulator F: Filter R: Regulator L: Lubricator	20: 2000 body 30: 3000 body 40: 4000 body 50: 5000 body	10: Two units (Regulator+Lubricator) 00: Others	2000 01: 1/8" 02: 1/4" 3000 02: 1/4" 03: 3/8"	Blank: Manual drain type D: Auto Drain type (Available only for 3000 or bigger body size)	Blank: With pressure gauge N: No pressure gauge	Blank: With bracket J: No bracket	Blank: 25 μm 5M: 5 μm	Blank: 25 μm 5M: 5 μm	Blank: G P: PT T: NPT

Order Example:

HNE series three units, 2000 body size, 1/8" thread size, manual drain type, with bracket, Mpa/Psi pressure gauge, 25 μm filter precision, G thread, ERP code is: HNEC2000-01-4

Air Preparation Unit Kits

HNER

NO.	NAME	QTY	MATERIAL
26	Regulate handle	1	Reinforce nylon
25	Symbol ring	1	Reinforce nylon
24	Nut	1	Reinforce nylon
23	Cross screw	4	Carbon steel
22	Spring washer	4	Carbon steel
21	Valve cover	1	Reinforce nylon
20	Regulate bolt	1	Carbon steel
19	Washer	1	POM
18	Regulate Nut	1	Carbon steel
17	Spring	1	Carbon steel
16	Spring seat	1	Carbon steel
15	Diaphragm	1	NBR
14	Diaphragm seal	1	Brass
13	Pipe	1	POM
12	Retainer ring	1	Carbon steel
11	O-ring	1	NBR
10	Plug	1	Carbon steel
9	Regulator Body	1	Aluminum
8	Spool	1	Brass+NBR
7	Valve core	1	Brass
6	Retainer ring	1	Carbon steel
5	Spring	1	Stainless steel
4	Washer	1	Carbon steel
3	O-ring	1	NBR
2	O-ring	1	NBR
1	Regulator seat	1	ZnAl4-1

HNEF

NO.	NAME	QTY	MATERIAL
17	Knob	1	POM
16	O-ring	1	NBR
15	Spring	1	Stainless steel
14	Plug	1	Brass
13	O-ring	1	NBR
12	Drain valve	1	NBR
11	Glass pipe	1	Glass
10	O-ring	2	NBR
9	Steel Ball	2	Carbon steel
8	Metal bowl	1	Aluminum
7	Spring washer	1	Carbon steel
6	Cross screw	1	Carbon steel
5	Drain board	1	ABS
4	Filter Element	1	Brass
3	Whirling blade	1	ABS
2	O-ring	1	NBR
1	Regulator Body	1	Aluminum

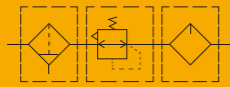
HNEL

NO.	NAME	QTY	MATERIAL
25	Plug	1	Brass
24	O-ring	1	NB
23	Glass pipe	1	Glass
22	O-ring	2	NB
21	Metal bowl	1	Aluminum
20	Steel Ball	2	Carbon steel
19	Oil drop tube	1	Polycarbonate
18	O-ring	1	NB
17	Oil drop tube	1	Brass
16	Plug	1	ABS
15	O-ring	1	NBR
14	O-ring	1	NBR
13	Oil tube	1	PU
12	Cross screw	4	Carbon steel
11	Spring Washer	4	Carbon steel
10	One way valve seat	1	POM
9	Fitting	1	Brass
8	Steel Ball	1	Carbon steel
7	Reed	1	Polyurethane
6	Lubricator body	1	Aluminum
5	O-ring	1	NBR
4	O-ring	1	NBR
3	O-ring	1	Brass
2	O-ring	1	NBR
1	Oil regulate screw	1	Brass

HNEW

NO.	NAME	QTY	MATERIAL
35	Regulate handle	1	Reinforce nylon
34	Nut	1	Reinforce nylon
33	Cross screw	4	Carbon steel
32	Spring washer	4	Carbon steel
31	Valve cover	1	Reinforce nylon
30	Bolt	1	Carbon steel
29	Nut	1	Carbon steel
28	Spring	1	Stainless steel
27	Valve core	1	Brass+NBR
26	O-ring	1	NBR
25	Plug	1	Carbon steel
24	Valve body	1	ADC12
23	Bushing	1	POM
22	Rubber pad	1	NBR
21	Diaphragm seat	1	ZnAl4-1
20	Diaphragm	1	NBR
19	Diaphragm Pad	1	Carbon steel
18	Spring	1	Carbon steel
17	Cross screw	1	Carbon steel
16	Spring washer	1	Carbon steel
15	Drain board	1	ABS
14	Filter Element	1	Brass
13	Whirling blade	1	ABS
12	Overflow valve seat	1	ZnAl4-1
11	O-ring	1	NBR
10	Knob	1	POM
9	O-ring	1	NBR
8	Spring	1	Stainless steel
7	Plug	1	Brass
6	O-ring	1	NBR
5	Drain valve	1	Brass
4	Glass pipe	1	Glass
3	O-ring	2	NBR
2	Steel Ball	2	Carbon steel
1	Metal bowl	1	Aluminum

HNE F.R.L



Specifications

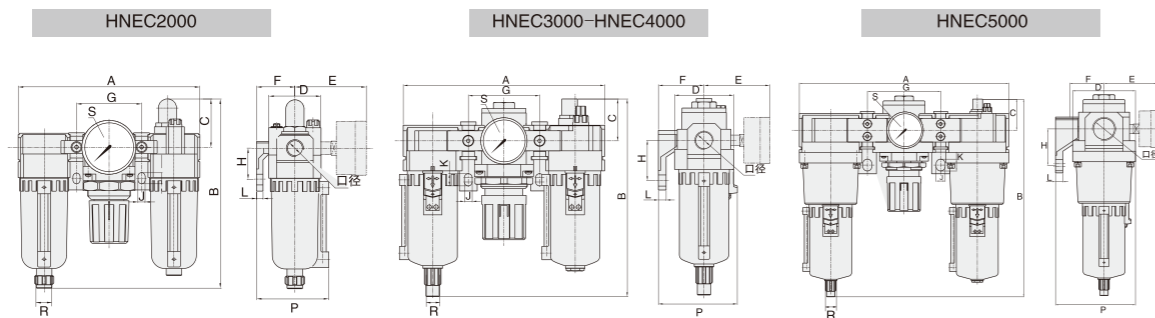
Model	HNEC2000	HNEC3000	HNEC4000	HNEC5000
Proof pressure(MPa)			1.5	
Max. working pressure(MPa)			1.0	
Working temperature(°C)			5-60	
Filter precision		25µm (5µm is optional)		
Recommended oil		Turbine No.1 Oil ISOVG32		
Bowl material		Aluminum die-casting		
Bowl guard		Available		
Entrance pressure(MPa)		0.15-1.0		
Pressure adjusting range (MPa)		0.15-0.85		
Valve type		With overflow		

Model	Specifications							Accessories
	Assembly			* Rated flow(L/min)	* Port size (G)	Pressure gauge thread size (G)	Weight(kg)	
	Filter	Regulator	Lubricator					
HNEC2000-01				1000	1/8		0.74	Y20L
HNEC2000-02	HNEF2000	ER2000	HNEL2000	1100	1/4	1/8		
HNEC2500-02				1500	1/4		1.04	Y30L
HNEC2500-03	HNEF3000	ER2500	HNEL3000	1500	3/8	1/8		
HNEC3000-02				1950	1/4		1.18	Y30L
HNEC3000-03	HNEF3000	ER3000	HNEL3000	2105	3/8	1/8		
HNEC4000-03				4950	3/8		2.14	Y40L
HNEC4000-04	HNEF4000	ER4000	HNEL4000	5200	1/2	1/4		
HNEC4000-06	HNEF4000-06	ER4000-06	HNEL4000-06	5600	3/4	1/4	2.47	Y50L
HNEC5000-06				6200	3/4		3.82	Y60L
HNEC5000-10	HNEF5000	ER5000	HNEL5000	6500	1	1/4		

* The above information is based on 8.0 Bar supply pressure and 6.3 Bar set pressure

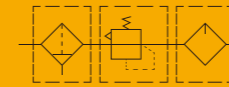
* NPT, PT port size is optional

Main Dimension



Model	Port Size (G)	A	B	C	D	E	F	G	H	J	K	L	P	R	S
HNEC2000	1/8"-1/4"	140	147	38	40	56.8	30	50	24	5.5	8.5	5	56	φ6	G1/8
HNEC3000	1/4"-3/8"	181	178	38	53	60.8	41	64	35	7	11	7	70.5	φ8	G1/8
HNEC4000-04	1/2"	238	207	41	70	65.5	50	84	40	9	13	7	87.5	φ8	G1/4
HNEC4000-06	3/4"	253	208.5	40.5	70	69.5	50	89	40	9	13	7	87.5	φ8	G1/4
HNEC5000	3/4"-1"	300	287	48	90	75.5	69.8	105	50	12	16	10.5	115	φ8	G1/4

HNE FR.L



Specifications

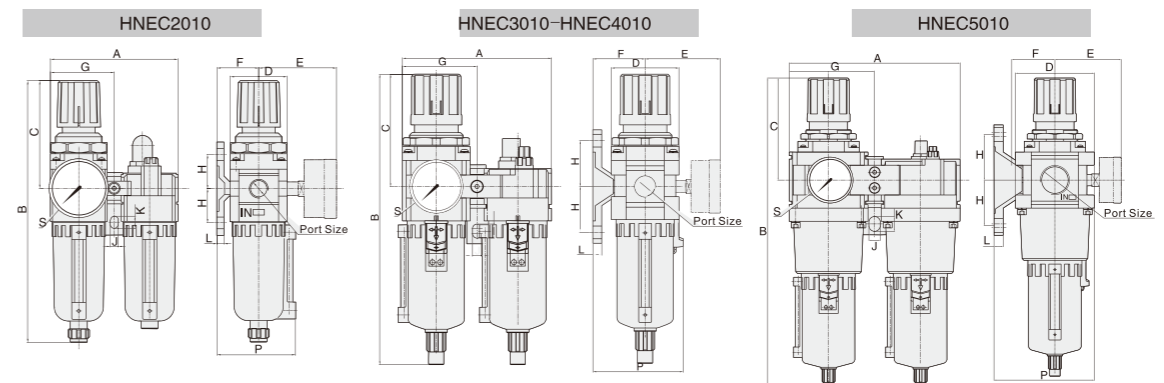
Model	HNEC2010	HNEC3010	HNEC4010	HNEC5010
Proof pressure(MPa)			1.5	
Max. working pressure(MPa)			1.0	
Working temperature(°C)			5-60	
Filter precision		25µm (5µm is optional)		
Recommended oil		Turbine No.1 Oil ISOVG32		
Bowl material		Aluminum die-casting		
Bowl guard		Available		
Entrance pressure(MPa)		0.15-1.0		
Pressure adjusting range (MPa)		0.15-0.85		
Valve type		With overflow		

Model	Specifications						Accessories
	Assembly		* Rated flow(L/min)	* Port size (G)	Pressure gauge thread size (G)	Weight(kg)	
	Filter with pressure reducer	Lubricator					
HNEC2010-01			945	1/8		0.66	Y20T
HNEC2010-02	HNEW2000	HNEL2000	960	1/4	1/8		
HNEC3010-02			1874	1/4		0.98	Y30T
HNEC3010-03	HNEW3000	HNEL3000	1956	3/8	1/8		
HNEC4010-03			4923	3/8		1.93	Y40T
HNEC4010-04	HNEW4000	HNEL4000	5120	1/2	1/4		
HNEC4010-06	HNEW4000-06	HNEL4000-06	5000	3/4	1/4	1.99	Y50T
HNEC5010-06			6000	3/4		3.20	Y60T
HNEC5010-10	HNEW5000	HNEL5000	6200	1	1/4		

* The above information is based on 8.0 Bar supply pressure and 6.3 Bar set pressure

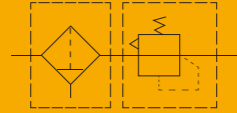
* NPT, PT port size are available

Main Dimension



Model	Port Size (G)	A	B	C	D	E	F	G	H	J	K	L	P	S
HNEC2010	1/8"-1/4"	90	186.5	78	40	56.8	30	45	24	5.5	8.5	5	56.0	G1/8
HNEC3010	1/4"-3/8"	117	232.5	92.5	53	60.8	41	58.5	35	7	11	7	69.5	G1/8
HNE4010-04	1/2"	154	277	112	70	65.5	50	77	40	9	13	7	87.5	G1/4
HNE4010-06	3/4"	164	282.5	114	70	69.5	50	82	40	9	13	7	87.5	G1/4
HNE5010	3/4"-1"	195	353.5	116	90	75.5	69.8	97.5	50	12	16	10.5	115	G1/4

HNEW F&R



Specifications

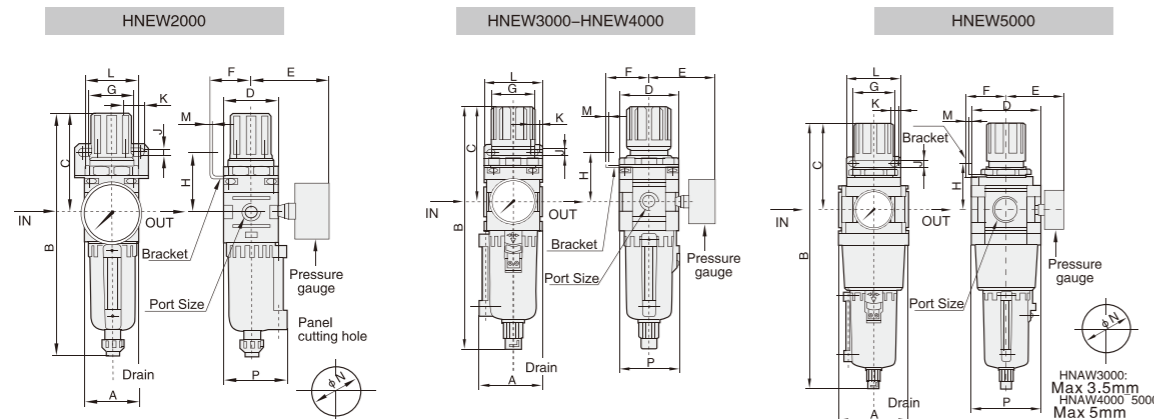
Model	HNEW2000	HNEW3000	HNEW4000	HNEW5000
Proof pressure(MPa)			1.5	
Max. working pressure(MPa)			1.0	
Working temperature(°C)			5-60	
Filter precision		25 μm (5 μm is optional)		
Bowl material		Aluminum die-casting		
Bowl guard		Available		
Entrance pressure(MPa)		0.15-1.0		
Pressure adjusting range(MPa)		0.15-0.85		
Valve type		With overflow		

Model	Specifications				Accessories Bracket	Drain function	Auto drain model
	*Rated flow (L/min)	* Port size (G)	Pressure gauge thread size (G)	Weight (kg)			
HNEW2000-01	1078	1/8	1/8	0.29	B220	Manual drain	HNEW2000-01D
HNEW2000-02	1165	1/4					HNEW2000-02D
HNEW3000-02	1998	1/4	1/8	0.55	B320	Zero pressure drain /Manual drain	HNEW3000-02D
HNEW3000-03	2177	3/8					HNEW3000-03D
HNEW4000-03	5108	3/8	1/4	1.16	B420	Zero pressure drain /Manual drain	HNEW4000-03D
HNEW4000-04	5211	1/2					HNEW4000-04D
HNEW4000-06	5750	3/4	1/4	1.2	B420	Zero pressure drain /Manual drain	HNEW4000-06D
HNEW5000-06	6200	3/4					HNEW5000-06D
HNEW5000-10	6400	1	1/4	1.79	B420	Zero pressure drain /Manual drain	HNEW5000-10D

* The above information is based on 8.0 Bar supply pressure and 6.3 Bar set pressure

* NPT, PT port size is optional

Main Dimension



Model	Port Size (G)	A	B	C	D	E	F	G	H	J	K	L	M	P
HNEW2000	1/8" 1/4"	40	186.5	78	40	56.8	30	34	43.5	5.4	15.4	55	2.3	46
HNEW3000	1/4" 3/8"	57.5	232.5	92.5	53	60.8	39	40	46	6.5	8	53	2.3	55
HNEW4000	3/8" 1/2"	74	278	112	70	70.5	49.2	54	53.5	8.5	10.5	70	2.3	72.5
HNEW4000-06	3/4"	76.5	282	114	70	70.5	49.2	54	55.5	8.5	10.5	70	2.3	72.5
HNEW5000	3/4" 1"	90	355	116	90	75.5	49.2	54	62	8.5	10.5	70	2.3	90

HNEF Filter



Specifications

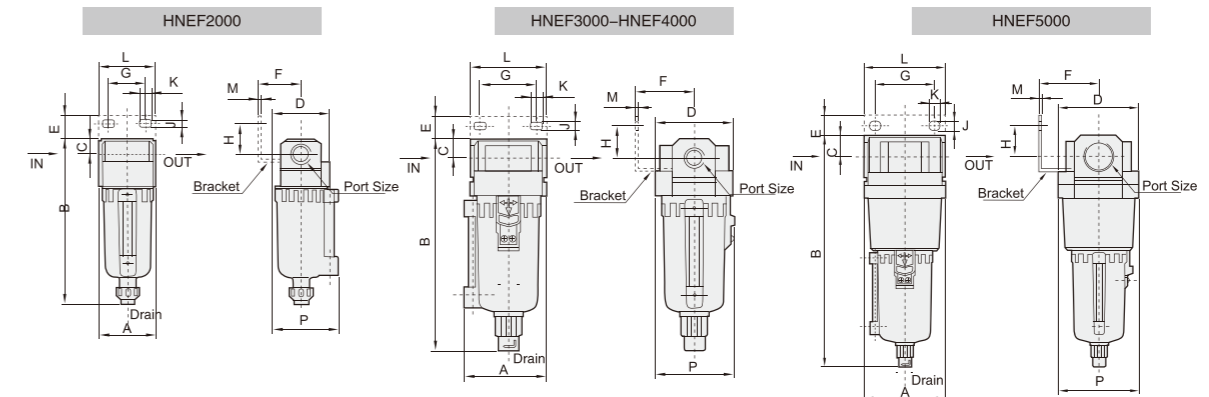
Model	HNEF2000	HNEF3000	HNEF4000	HNEF5000
Proof pressure(MPa)			1.5	
Max. working pressure(MPa)			1.0	
Working temperature(°C)			5-60	
Filter precision		25 μm (5 μm is optional)		
Bowl material		Aluminum die-casting		
Bowl guard		Available		
Entrance pressure(MPa)		0.15-1.0		

Model	Specifications				Accessories Bracket	Drain function	Auto drain model
	*Rated flow (L/min)	* Port size (G)	Bowl capacity (CM³)	Weight (kg)			
HNEF2000-01	1222	1/8	15	0.17	B240	Manual drain	HNEF2000-01D
HNEF2000-02	1278	1/4					HNEF2000-02D
HNEF3000-02	2006	1/4	20	0.29	B340	Zero pressure drain /Manual drain	HNEF3000-02D
HNEF3000-03	2148	3/8					HNEF3000-03D
HNEF4000-03	5120	3/8	45	0.53	B440	Zero pressure drain /Manual drain	HNEF4000-03D
HNEF4000-04	5430	1/2					HNEF4000-04D
HNEF4000-06	7680	3/4	45	0.58	B540	Zero pressure drain /Manual drain	HNEF4000-06D
HNEF5000-06	8200	3/4					HNEF5000-06D
HNEF5000-10	8500	1	130	1.05	B640	Zero pressure drain /Manual drain	HNEF5000-10D

* The above information is based on 6.3 Bar supply pressure and 1.0 Bar set pressure

* NPT, PT port size is optional

Main Dimension

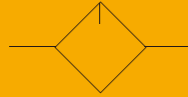


Model	Port Size (G)	A	B	C	D	E	F	G	H	J	K	L	M	P
HNEF2000	1/8" 1/4"	40	119.5	11	40	17	30	27	22	5.4	8.4	40	2.3	46
HNEF3000	1/4" 3/8"	57.5	154	14	53	16	41	40	23	6.5	8	53	2.3	55
HNEF4000	3/8" 1/2"	74	184	18	70	17	50	54	26	8.5	10.5	70	2.3	72.5
HNEF4000-06	3/4"	76.5	188	20	70	14	50	54	25	8.5	10.5	70	2.3	72.5
HNEF5000	3/4" 1"	90	263	24	90	23	66.5	66	35	11	13	90	3.2	90

HNEW

HNEF

HNEL Lubricator



Specifications

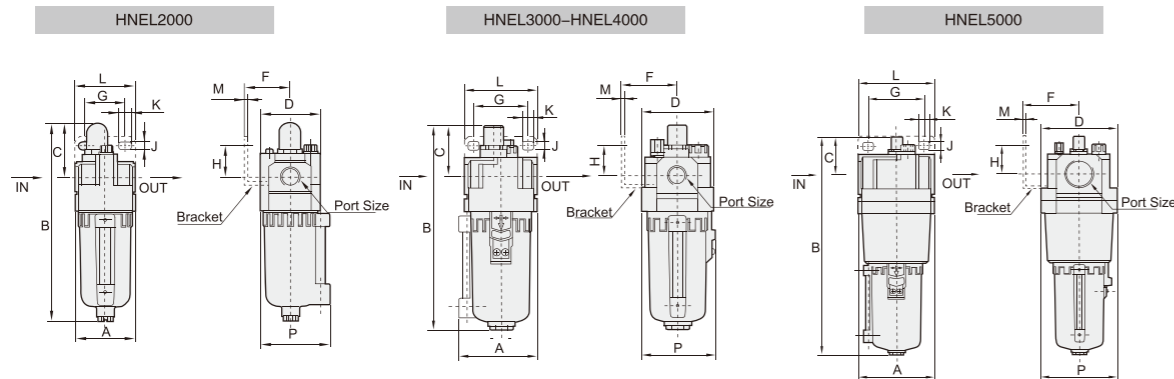
Model	HNEL2000	HNEL3000	HNEL4000	HNEL5000
Proof pressure(MPa)		1.5		
Max. working pressure(MPa)		1.0		
Working temperature(°C)		5-60		
Recommended oil	Turbine No.1 Oil ISOVG32			
Bowl material	Aluminum die-casting			
Bowl guard	Available			
Entrance pressure(MPa)		0.15-1.0		
Valve type	With overflow			

Model	Specifications					Accessories
	Minimal flow of oil drop (L/min)	*Rated flow (L/min)	*Port size (G)	Bowl capacity (cm³)	Weight (kg)	
HNEL2000-01	15	1300	1/8	25	0.17	B240
HNEL2000-02		1450	1/4			
HNEL3000-02	30	2310	1/4	50	0.30	B340
HNEL3000-03	40	2375	3/8			
HNEL4000-03	40	5321	3/8	130	0.53	B440
HNEL4000-04	50	5532	1/2			
HNEL4000-06	50	6700	3/4	130	0.59	B540
HNEL5000-06	7700	3/4				
HNEL5000-10	190	8000	1	130	1.13	B640

*The above information is based on 6.3Bar supply pressure, the flow of oil drop is 2-3 drops/min, the temperature of Turbine No.1 oil is 20°C

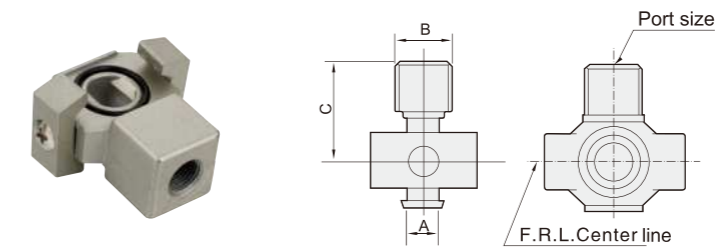
*The above information is based on 6.3Bar supply pressure and 1.0 Bar step down
*NPT, PT port size is optional

Main Dimension



Model	Port Size (G)	A	B	C	D	F	G	H	J	K	L	M	P
HNEL2000	1/8" 1/4"	40	137	38	50	30	27	22	5.4	8.4	40	2.3	40
HNEL3000	1/4" 3/8"	57.4	154.5	38	53	41	40	23	6.5	8	53	2.3	55
HNEL4000	3/8" 1/2"	74	185.5	41	70	50	54	26	8.5	10.5	70	2.3	72.5
HNEL4000-06	3/4"	76.5	185.5	39	70	50	54	25	8.5	10.5	70	2.3	72.5
HNEL5000	3/4" 1"	90	262.5	45	90	66.5	66	35	11	13	90	3.2	90

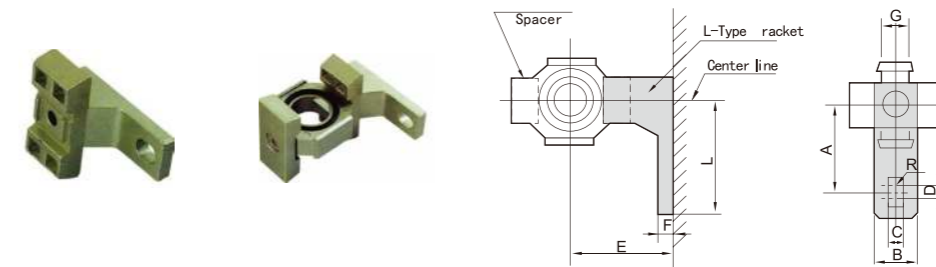
Accessory



T-Type Spacer

Model	*Port Size (G)	A	B	C	Applicable Model
Y21-01	G1/8	10	19	29	EC2000
Y21-02	G1/4				
Y31-01	G1/8	11	19	33	EC3000
Y31-02	G1/4				
Y41-02	G1/4	14	24	39	EC4000
Y41-03	G3/8				
Y61-03	G3/8	15	30	50.5	EC5000
Y61-04	G1/2				

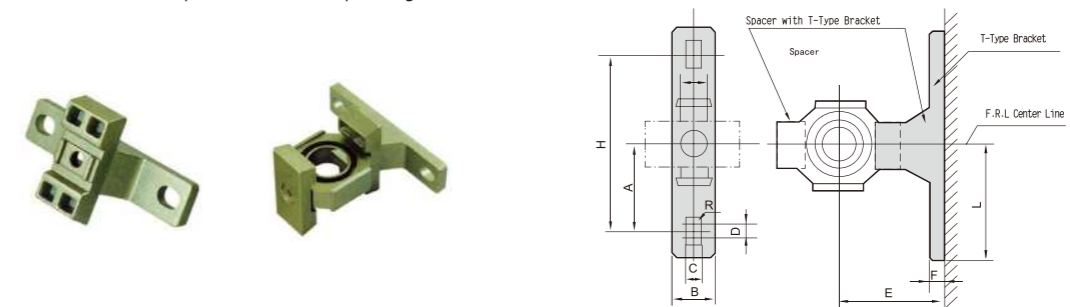
*NPT, PT port size is optional



L-Type Bracket Spacer with L-Type Bracket

L-Type Bracket	Spacer with L-Type Bracket	A	B	C	D	E	F	G	R	L	Applicable Model
B110L	Y10L	20	12	4.5	3	25	5	8	2.25	27	EC1000
B210L	Y20L	24	15	5.5	3	30	5	10	2.75	33	EC2000
B310L	Y30L	35	16	7	4	41	7	11	3.5	45	EC2500-EC3000
B410L	Y40L	40	22	9	4	50	7	14	4.5	50	EC4000
B510L	Y50L	40	22	9	4	50	7	14	4.5	50	EC4000-06
B610L	Y60L	50	23	12	4	69.8	10.5	15	6	63	EC5000
IB210L	IY20L	24	15	5.5	3	30	5	10	2.75	33	EIC2000
ILB310L	ILY30L	35	16	7	4	41	7	11	3.5	45	Connect EIC3000 filter and regulator
IRB310L	IRY30L	35	16	7	4	41	7	11	3.5	45	Connect EIC3000 regulator and lubricator

*EIC4000/5000 adopts EC series corresponding model.

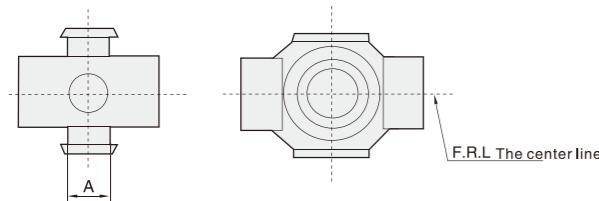


T-Type Bracket Spacer with T-Type Bracket

T-Type Bracket	Spacer with T-Type Bracket	A	B	C	D	E	F	G	H	R	L	Applicable Model
B110T	Y10T	20	12	4.5	3	25	5	8	40	2.25	27	EC1010
B210T	Y20T	24	15	5.5	3	30	5	10	48	2.75	33	EC2010
B310T	Y30T	35	16	7	4	41	7	11	70	3.5	45	EC3010
B410T	Y40T	40	22	9	4	50	7	14	80	4.5	50	EC4010
B510T	Y50T	40	22	9	4	50	7	14	80	4.5	50	EC4010-06
B610T	Y60T	50	23	12	4	69.8	10.5	15	100	6	63	EC5010
IB210T	IY20T	24	15	5.5	3	30	5	10	48	2.75	33	EIC2010
IB310T	IY30T	35	16	7	4	41	7	11	70	3.5	45	EIC3010

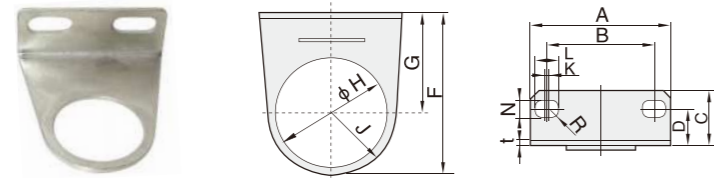
*EIC4000/5000 adopts EC series corresponding model.

Y-Type Spacer



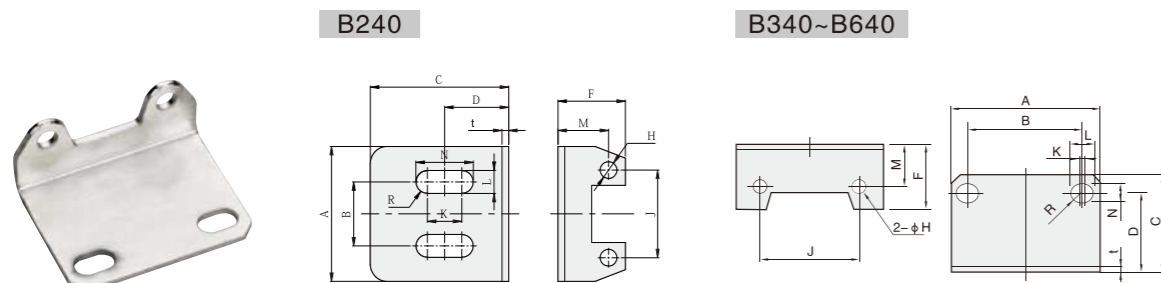
Model	A	Applicable model
Y10	8	EC1000
Y20	10	EC2000
Y30	11	EC2500-3000
Y40	14	EC4000
Y50	14	EC4000-06
Y60	15	EC5000

20-Type Bracket



Model	A	B	C	D	F	G	φH	J	K	L	N	R	t	Applicable model
B120	40	28	17	11	37.8	25	20	12.3	2	6.5	4.5	2.25	2	ER/EW 1000
B220	55	33.5	24	18	50.5	30.5	33	20	10	15	5.4	2.7	2	ER/EW 2000、ER2500
B320	53	40	22	14	64	39	42	25	1.5	8	6.5	3.25	2	ER/EW 3000
B420	70	53.5	27	18	78.5	48.2	52	30	2	10.5	8.5	4.25	2	ER4000 5000 EW4000 5000

20-Type Bracket



Model	A	B	C	D	F	φH	J	K	L	M	N	R	t	Fixing screw	Applicable model
B240	40	19	41	19	20	5	26	10.2	6.8	15	17	3.4	2	M4x8	EF/EL2000
B340	53	40	38	31.2	23	4.5	35	1.5	8	19	6.5	3.25	2	M4x8	EF/EL3000
B440	70	54	49	40	30	5.5	47	2	10.5	18.4	8.5	4.25	2	M5x10	EF/EL4000
B540	70	54	49	40	30	5.5	47	2	10.5	21.5	8.5	4.25	2	M5x10	EF/EL4000-06
B640	90	66	64	52	43	6.5	60	2	13	29	11	5.5	2	M6x10	EF/EL5000

HED402

Auto Drain



HED402 Auto Drain

Purpose

This product often applies to the low places of auto-remove piping, frozen type air drying machine, oil separator, air storage tank and the bottom of various air filters. It can be installed in the places which are not convenient for manual discharge of sewage, such as high, low, narrow places. Especially, it can be installed in the places with large consumption of air or frequent drain times, to prevent the compressed air to be re-polluted by condensed water resulting from the neglect of manual drain.

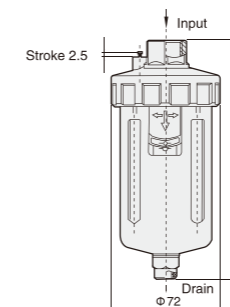
Features

Auto drain/ Zero pressure drain/ The water cup with

Attention

The drainer should be installed vertically and the port should face down, when using.

Main Dimension



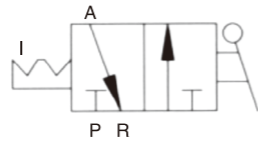
Model	HED402-02	HED402-03	HED402-04
Working medium	Compressed air		
Working pressure (MPa)	0.15~1.0		
Guaranteed pressure resistance (MPa)	1.5		
Working temperature (°C)	5~60		
Port size	G1/4	G3/8	G1/2
Drain port size	G1/8		
Drain status	Normal open		

EVSH

Pressure Relief Valve (3/2)



EVSH



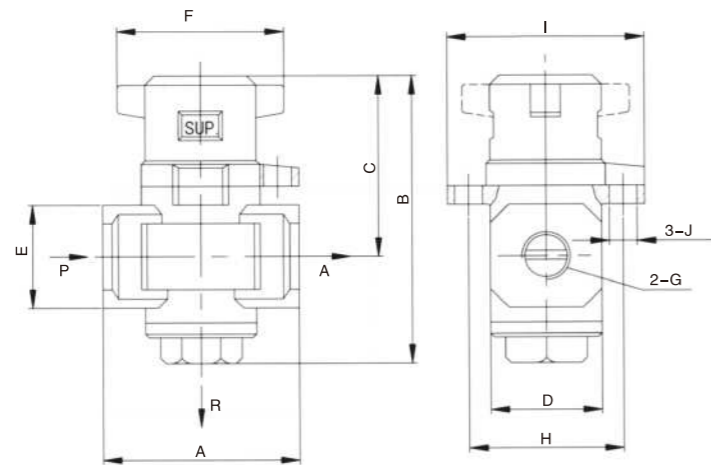
How to Order?

Series No.	Body Size	Port Size	Thread Type
EVSH Series	2000: 2000 Body 3000: 3000 Body 4000: 4000 Body	01: 1/8" 02: 1/4" 03: 3/8" 04: 1/2"	Blank: G P: PT

Order Example:

EVSH series 3/2 way check valve, 2000 body size, 1/4" body size, PT thread, ERP code is: EVSH2000-02-P

Main Dimension



Model	G	Exhaust port	A	B	C	D	E	F	H	I	J
EVSH2000-01	1/8	1/8	40	59	39	28	22	40	32	41	Φ6
EVSH2000-02	1/4	1/8	40	59	39	28	22	40	32	41	Φ6
EVSH3000-02	1/4	1/4	53	78	49	30	28	45	41.5	53	Φ7.5
EVSH3000-03	3/8	1/4	53	78	49	30	28	45	41.5	53	Φ7.5
EVSH4000-03	3/8	3/8	70	84	52	36	36	45	41.5	53	Φ7.5
EVSH4000-04	1/2	3/8	70	84	52	36	36	45	41.5	53	Φ7.5

FEO



How to Order?

Series No.	Type Code	Port Size	Regulate Range	Filter Precision	Pressure Gauge Code	Regulator Type	Body Dimension	Drain Type
FE	C: Filter+regulator+lubricator CS: Filter+regulator+lubricator (With lock) W: Filter+regulator WS: Filter+regulator (With lock) F: Filter R: Regulator RS: Regulator(With lock) L: Lubricator	M5: M5 M7: M7 Qs4: Push-in fitting QS4 Qs6: Push-in fitting QS6 01: G1/8 " 02: G1/4 " 03: G3/8 " 04: G1/2 " 06: G3/4 " 10: G1 "	Blank: 0.5~12 bar 7: 0.5~7 bar	Blank: 40 μ m 5M: 5 μ m	Blank: With pressure gauge N: No pressure gauge	DI: Directly actuate pressure regulator with integrated return flow function (FEC and MAXI size only)	MICRO: Body dimension 25mm MINI: Body dimension 40mm MIDI: Body dimension 55mm MAXI: Body dimension 66mm (All without Connecting Plates)	Blank: Manual Drain H: Semi-Autodrain A: Full-Autodrain

Order Example:

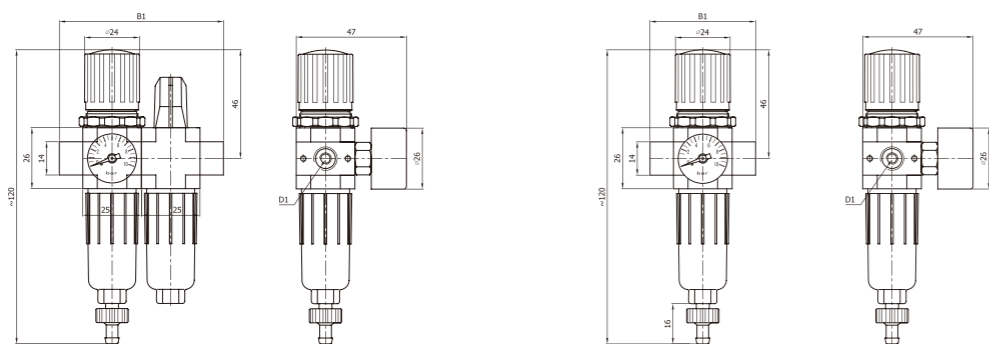
FE series filter+regulator, 1/8 port size, pressure regulate range 0.5-12 bar, 40 μ m filter precision, body dimension 40mm. manual drain, ERP code is: FEC-01 MINI

Specifications

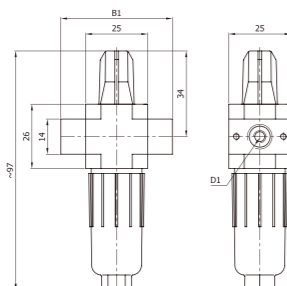
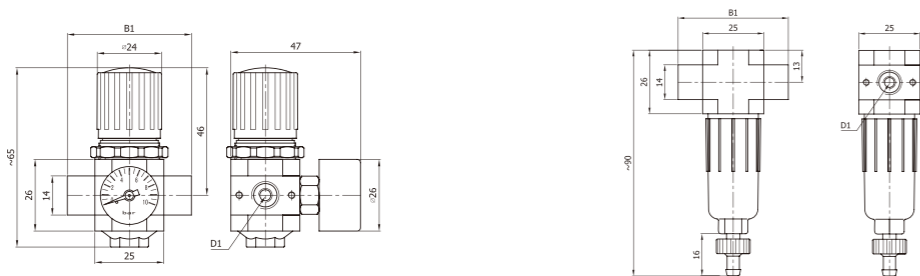
Working medium	Compressed air				
Structural characteristics	Direct acting diaphragm regulator, no inner air loss; With sintered filter and adjustable lubricator				
Installation	Pipe or bracket installation				
Installation position	Vertical ±5°				
Connecting dimensions	Female thread connection		The connecting plate		
	M5	M7	M7	1/8	
Standard rated flow	FEOC	90	130	170	140
	FEOV	120	280	300	410
	FEOB	120	300	320	450
	FEOF	170	280	280	290
	FEOA	200	430	380	410
The input pressure (MPa)	0~1.0				
Working pressure (MPa)	0.05~0.7				
Minimum mist flow	31/min				
Filter accuracy (μ m)	5				
The maximum gelation capacity	6.5cm ²				
Temperature range (°C)	0~60				
Material Science	Body: Aluminum ; Filter bowl and lubricator bowl: PC, Seal: NBR, Regulator nut: POM				

Main Dimension

Model	B1	D1	Model	B1	D1
FEOC-M5	50	M5	FEOW-M5	25	M5
FEOC-M7		M7	FEOW-M7		M7
FEOC-M7	70	M7	FEOW-M7	45	M7
FEOC-01		1/8	FEOW-01		1/8



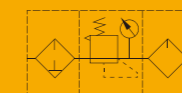
Model	B1	D1	Model	B1	D1
FEOR-M5	25	M5	FEOF-M5	25	M5
FEOR-M7		M7	FEOF-M7		M7
FEOR-M7	45	M7	FEOF-M7	45	M7
FEOR-01		1/8	FEOF-01		1/8



Model	B1	D1
FEOL-M5	25	M5
FEOL-M7		M7
FEOL-M7	45	M7
FEOL-01		1/8

AEC/BEC

F.R.L



How to Order?

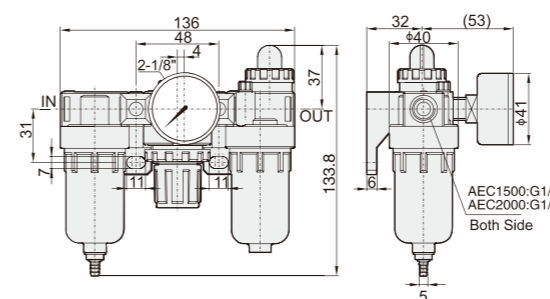
Series No.	Type Code	Body Size	Pressure Gauge Code	Bracket Code	Scale Unit	Thread Type
AE: Small body size without bowl guard BE: Larger body size with bowl guard	C: Filter+regulator+lubricator	1500: 1/8" 2000: 1/4" 3000: 3/8" 4000: 1/2"	Blank: With pressure gauge N: No pressure gauge	Blank: With bracket J: No bracket	4: Mpa/Psi(Default) 5: Bar/Psi	Blank: G P: PT T: NPT

Order Example:

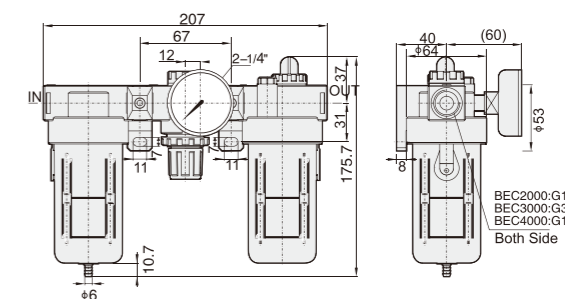
AE series three units, 1/4" body size, Mpa/Psi pressure scale unit, PT thread, ERP code is: AEC2000-4-P

Main Dimension

AEC 1500 / 2000



BEC 2000 - 4000

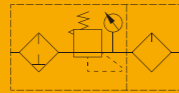


Specifications

Model	AEC1500	AEC2000	BEC2000	BEC3000	BEC4000	
Working medium	air					
Port size	G1/8	G1/4	G1/4	G3/8	G1/2	
Filter precision	40µm (5, 40µm is optional)					
Adjusting pressure range (MPa)	0.15-0.85					
Max. adjusting pressure (MPa)	1.0					
Guaranteed pressure (MPa)	1.5					
Working temperature(°C)	5-60					
Filter bowl capacity (CC)	15			60		
Lubricator bowl capacity (CC)	25			90		
Recommend oil	ISO VG32 or equivalent oil					
Weight (g)	700		900			
Components	Filter	AEF1500	AEF2000	BEF2000	BEF3000	BEF4000
	Regulator	AER1500	AER2000	BER2000	BER3000	BER4000
	Lubricator	AEL1500	AEL2000	BEL2000	BEL3000	BEL4000

AEFC/BEFC

FR.L



How to Order?

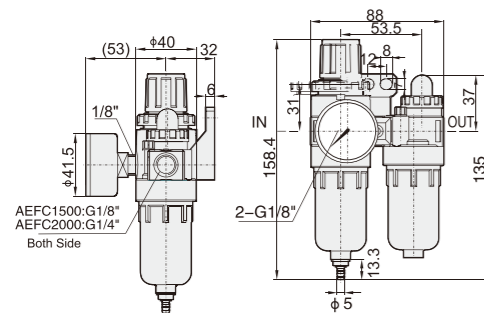
Series No.	Type Code	Body Size	Pressure Gauge Code	Bracket Code	Scale Unit	Thread Type
AE: Small body size without bowl guard BE: Larger body size with bowl guard	FC: Filter & Regulator +Lubricator	1500: 1/8" 2000: 1/4" 3000: 3/8" 4000: 1/2"	Blank: With pressure gauge N: Without pressure gauge	Blank: With bracket J: Without bracket	4: Mpa/Psi(Default) 5: Bar/Psi	Blank: G P: PT T: NPT

Order Example:

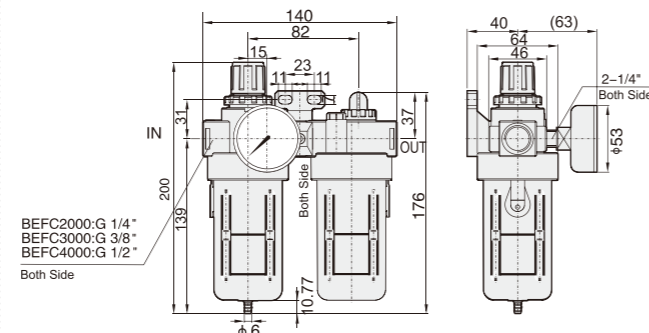
AE series two units, 1/4" body size, Mpa/Psi pressure scale unit, PT thread, ERP code is: AEFC2000-4-P

Main Dimension

AEFC1500/2000



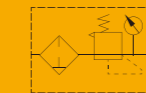
BEFC2000-4000



Specifications

Model	AEFC1500	AEFC2000	BEFC2000	BEFC3000	BEFC4000	
Working medium	air					
Port size	G1/8	G1/4	G1/4	G3/8	G1/2	
Filter precision	40 μm (5, 40 μm is optional)					
Adjusting pressure range (MPa)	0.15-0.85					
Max. adjusting pressure (MPa)	1.0					
Guaranteed pressure (MPa)	1.5					
Working temperature(°C)	5-60					
Filter bowl capacity (CC)	15			60		
Lubricator bowl capacity (CC)	25			90		
Recommend oil	ISO VG32 or equivalent oil					
Weight (g)	500			700		
Components	Filter,Regulator	AEFR1500	AEFR2000	BEEF2000	BEFR3000	BEFR4000
	Lubricator	AEL1500	AEL2000	BEL2000	BEL3000	BEL4000

AEFR/BEFR



How to Order?

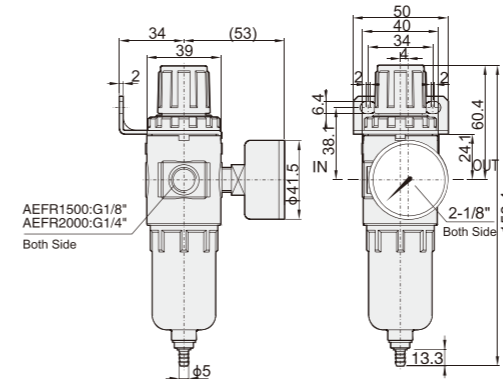
Series No.	Type Code	Body Size	Pressure Gauge Code	Bracket Code	Scale Unit	Thread Type
AE: Small body size without bowl guard BE: Larger body size with bowl guard	FR: Regulator+Filter	1500: 1/8" 2000: 1/4" 3000: 3/8" 4000: 1/2"	Blank: With pressure gauge N: No pressure gauge	Blank: With bracket J: No bracket	4: Mpa/Psi(Default) 5: Bar/Psi	Blank: G P: PT T: NPT

Order Example:

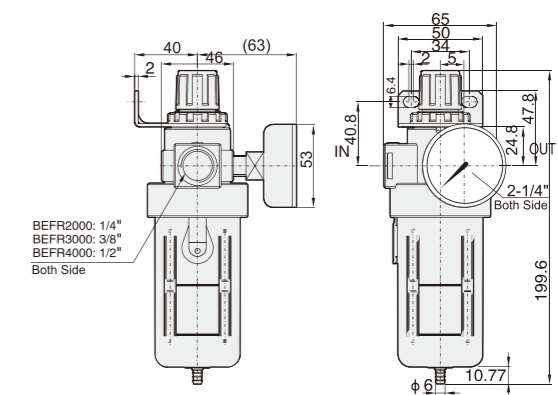
AE series Filter+regulators, 1/4" body size, Mpa/Psi pressure scale unit, PT thread, ERP code is: AEFR2000-4-P

Main Dimension

AEFR1500/2000



BEFR2000-4000



Specifications

Model	AEFR1500	AEFR2000	BEFR2000	BEFR3000	BEFR4000
Working medium	air				
Port size	G1/8	G1/4	G1/4	G3/8	G1/2
Filter precision	40 μm (5, 50 μm is optional)				
Adjusting pressure range (MPa)	0.15-0.85				
Max. adjusting pressure (MPa)	1.0				
Guaranteed pressure (MPa)	1.5				
Working temperature(°C)	5-60				
Filter bowl capacity (CC)	15			60	
Weight (g)	260			400	

AEF/BEF Filter



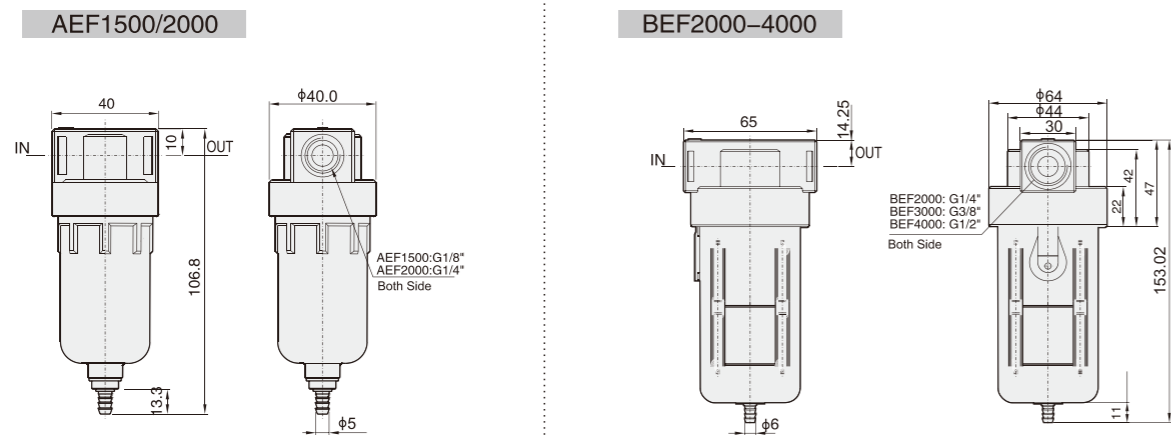
How to Order?

Series No.	Type Code	Body Size	Bracket Code	Thread Type
AE: Small body size without bowl guard BE: Larger body size with bowl guard	F: Filter	1500: 1/8" 2000: 1/4" 3000: 3/8" 4000: 1/2"	Blank: With bracket J: No bracket	Blank: G P: PT T: NPT

Order Example:

AE series filter, 1/4" body size, with bracket, PT thread, ERP code is: AEF2000-P

Main Dimension



Specifications

Model	AEF1500	AEF2000	BEF2000	BEF3000	BEF4000
Working medium	air				
Port size	G1/8	G1/4	G1/4	G3/8	G1/2
Filter precision	40 μm (5, 50 μm is optional)				
Working pressure (MPa)	0.15-1.0				
Guaranteed. pressure (MPa)	1.5				
Working temperature(°C)	5-60				
Filter bowl capacity (CC)	15			60	
Weight (g)	140			330	

AEL/BEL Lubricator



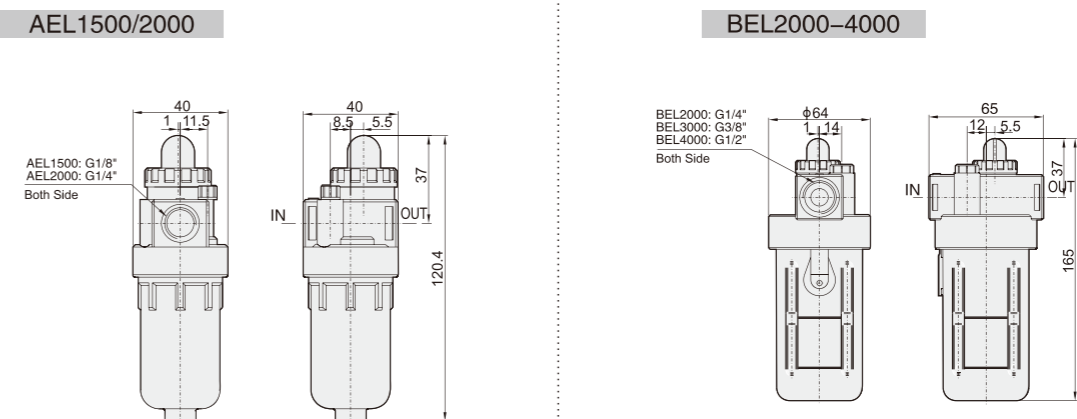
How to Order?

Series No.	Type Code	Body Size	Bracket Code	Thread Type
AE: Small body size without bowl guard BE: Larger body size with bowl guard	L: Lubricator	1500: 1/8" 2000: 1/4" 3000: 3/8" 4000: 1/2"	Blank: With bracket J: No bracket	Blank: G P: PT T: NPT

Order Example:

AE series Lubricator, 1/4" body size, with bracket, PT thread, ERP code is: AEL 2000-P

Main Dimension



Specifications

Model	AEL1500	AEL2000	BEL2000	BEL3000	BEL4000
Working medium	air				
Port size	G1/8	G1/4	G1/4	G3/8	G1/2
Guaranteed. pressure resistance (MPa)	1.5				
Working temperature(°C)	5-60				
Lubricator bowl capacity	25CC			90CC	
Recommend oil	ISO VG32 or equivalent oil				
Weight (g)	170g			250g	

